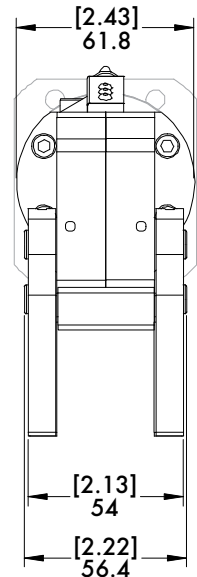
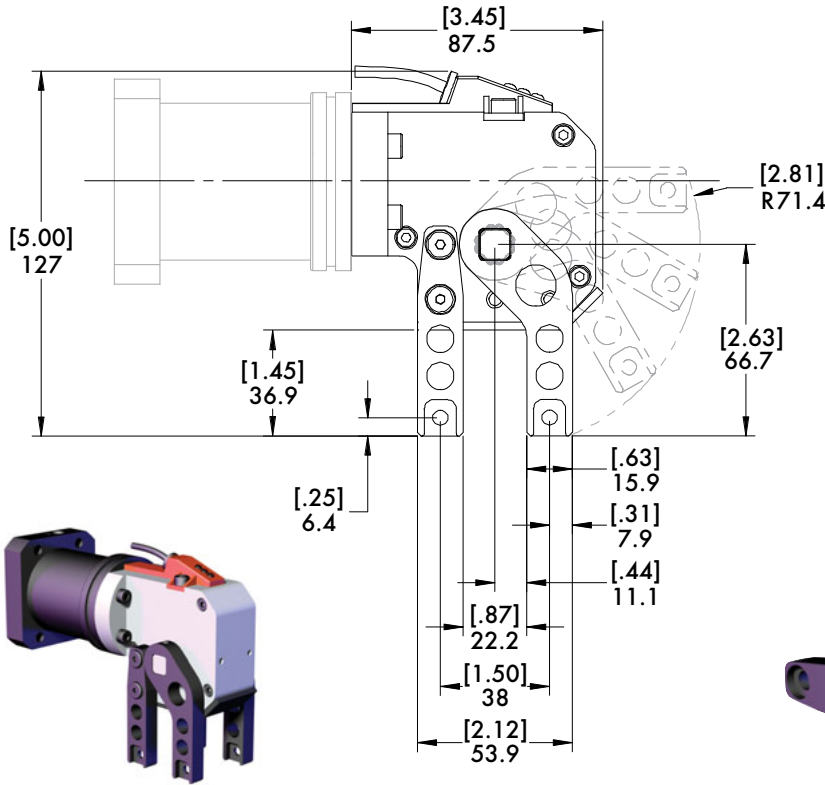


GR84 Modular Mini Clamp

"9Sx" 90° Jaw Arrangement - Standard Fixed Jaw

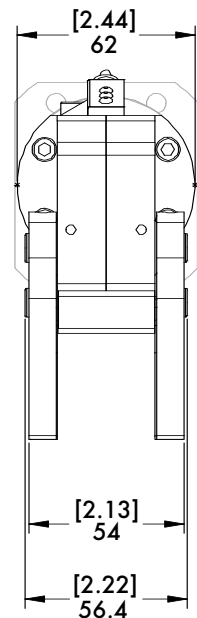
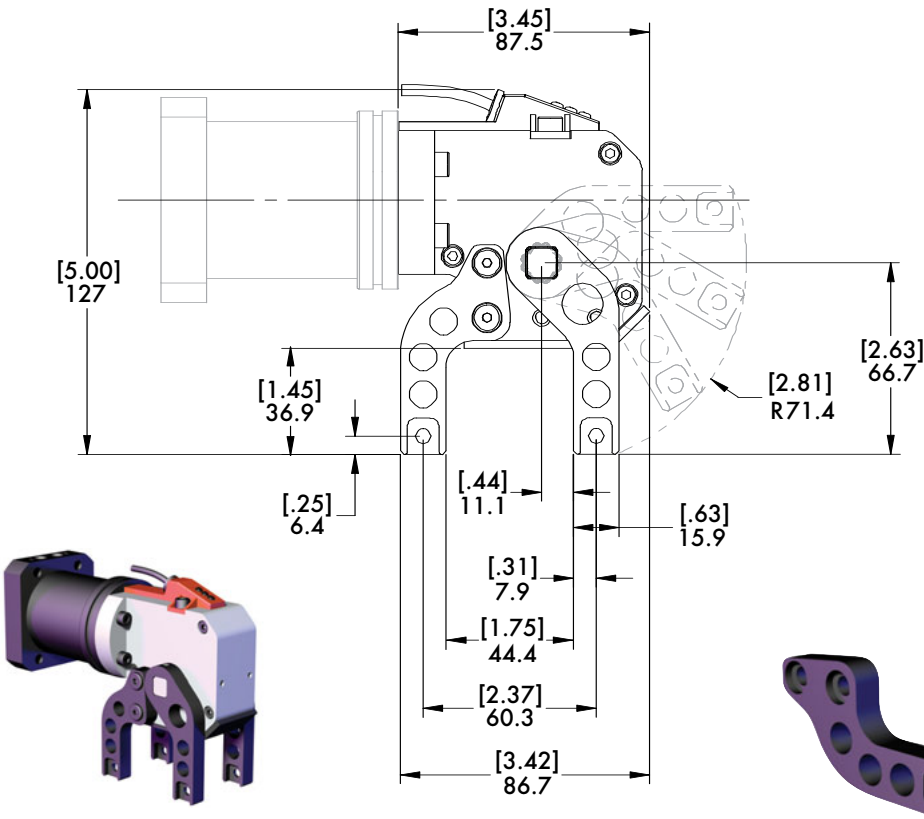


mm [INCH]

 THIRD ANGLE PROJECTION

Replacement Part #
GR84-JFA

"9Fx" 90° Jaw Arrangement - Flange Fixed Jaw



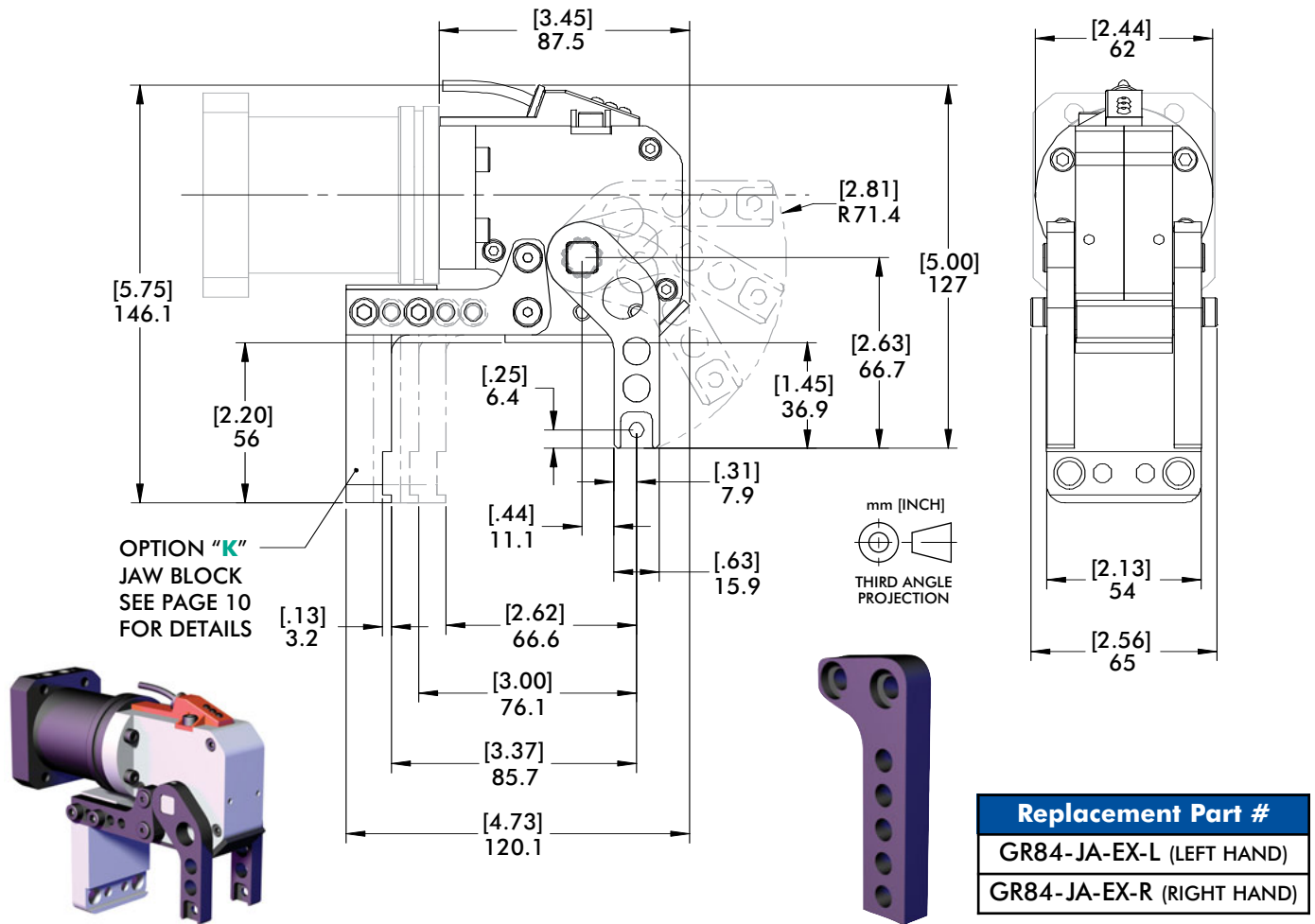
mm [INCH]

 THIRD ANGLE PROJECTION

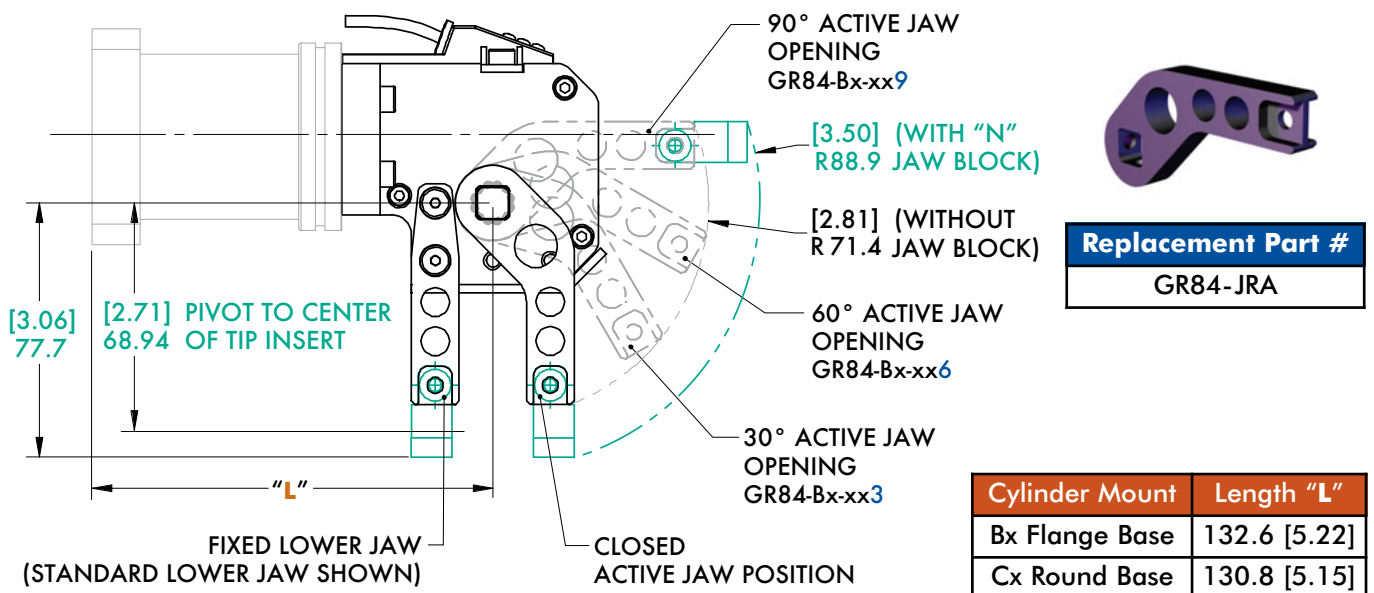
Replacement Part #
GR84-JA-F-L (LEFT HAND)
GR84-JA-F-R (RIGHT HAND)

GR84 Modular Mini Clamp

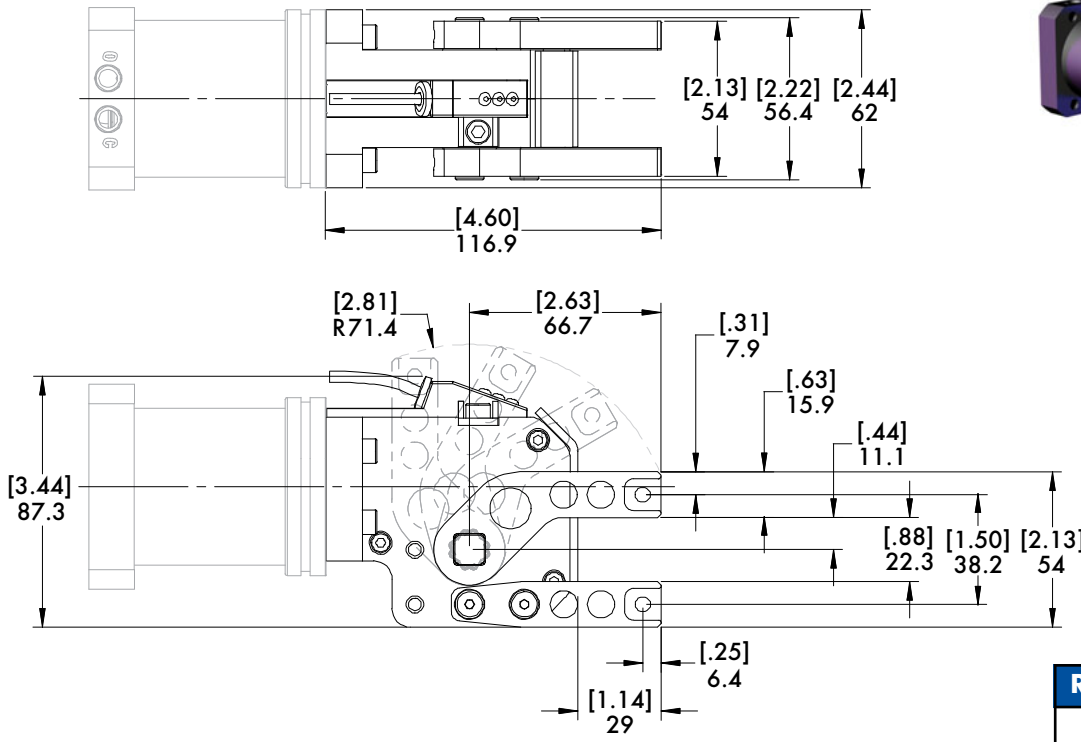
"9Ax" 90° Jaw Arrangement - Adjustable Fixed Jaw



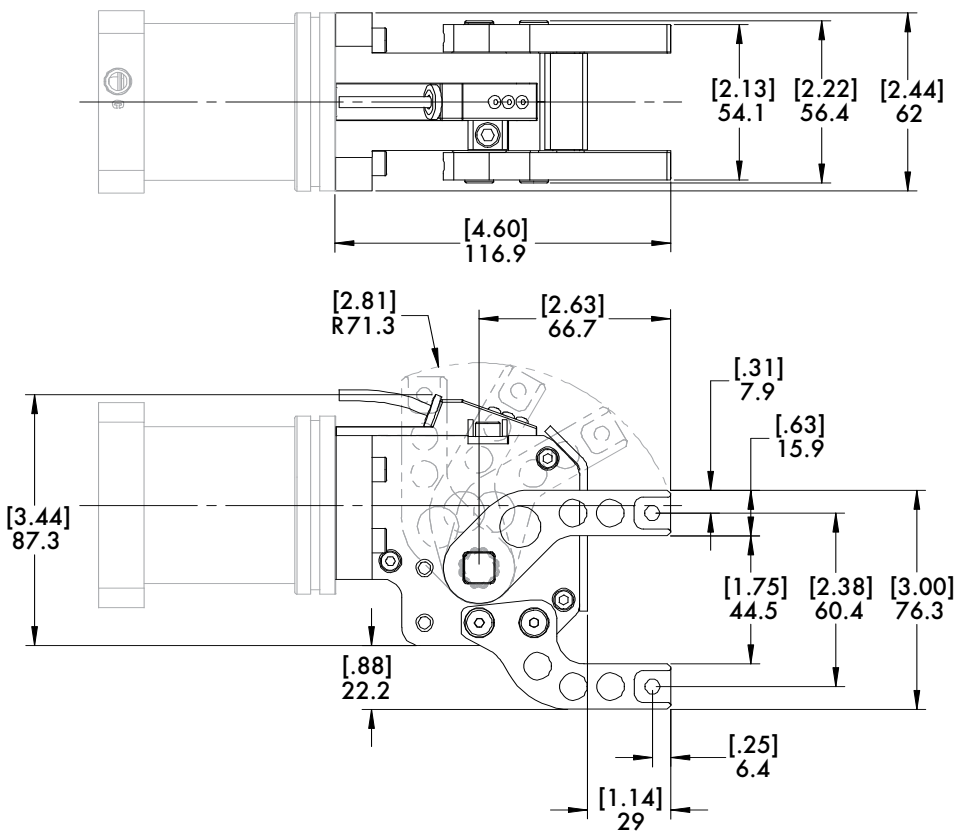
"xx3", "xx6", "xx9" 90° Jaw Arrangement - Preset Active Jaw Opening



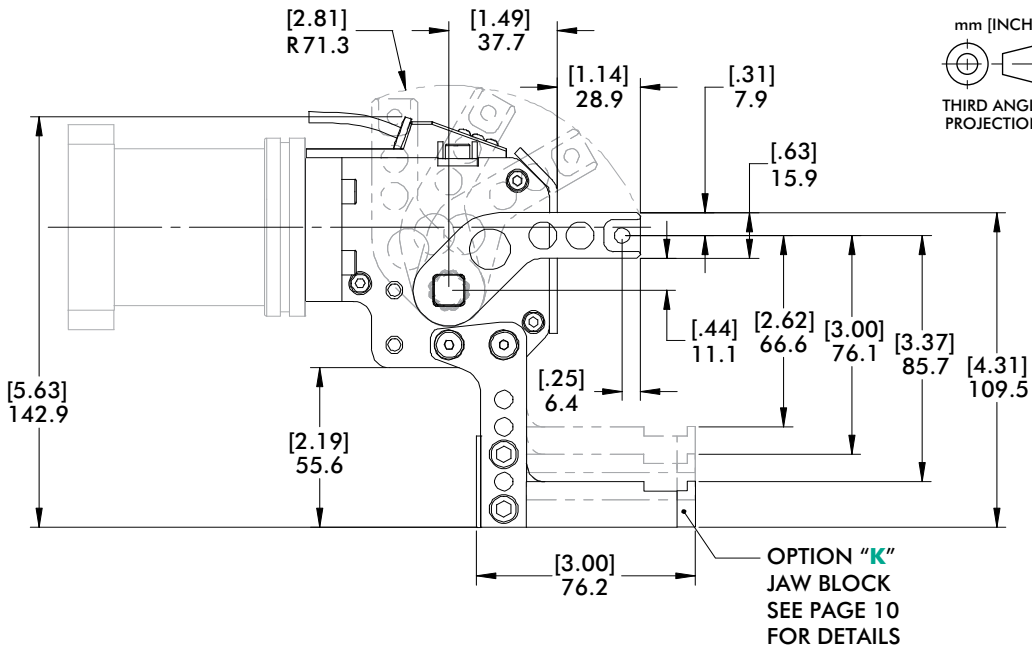
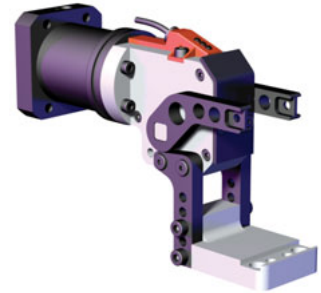
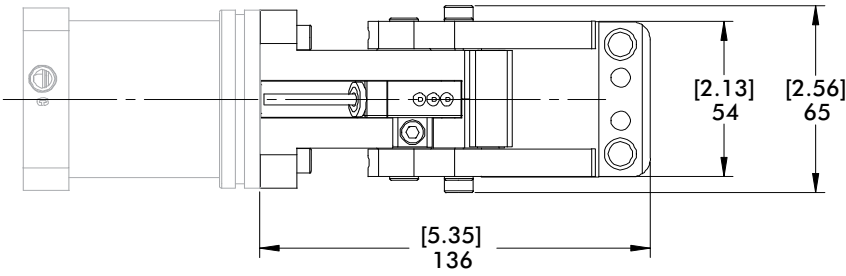
GR84 Modular Mini Clamp
"SSx" Straight Jaw Arrangement - Standard Fixed Jaw



"SFx" Straight Jaw Arrangement - Flange Fixed Jaw

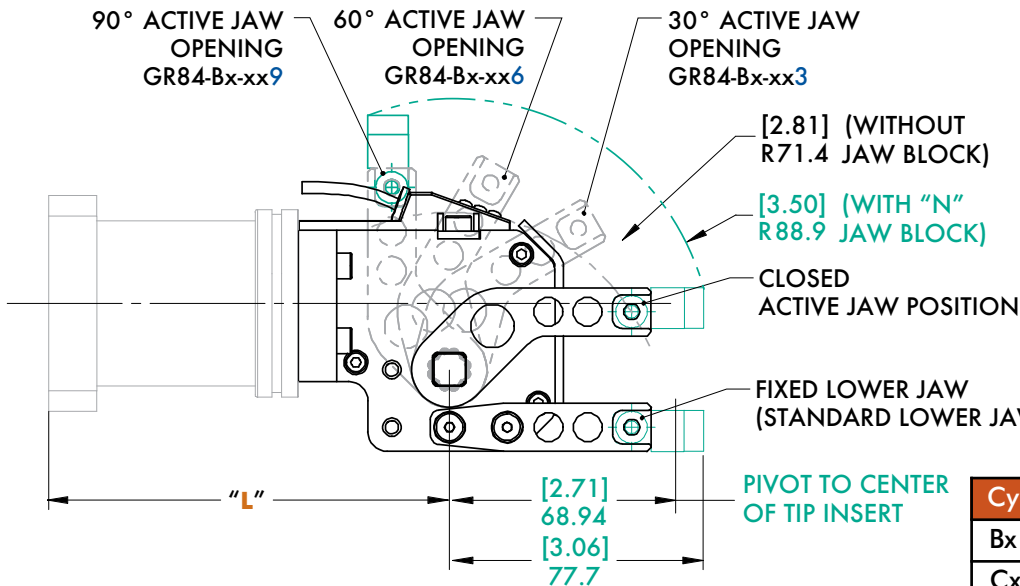


GR84 Modular Mini Clamp
"Sax" Straight Jaw Arrangement - Adjustable Fixed Jaw



Replacement Part #
GR84-JA-EX-L (LEFT HAND)
GR84-JA-EX-R (RIGHT HAND)

"xx3", "xx6", "xx9" Straight Jaw Arrangement - Preset Active Jaw Opening

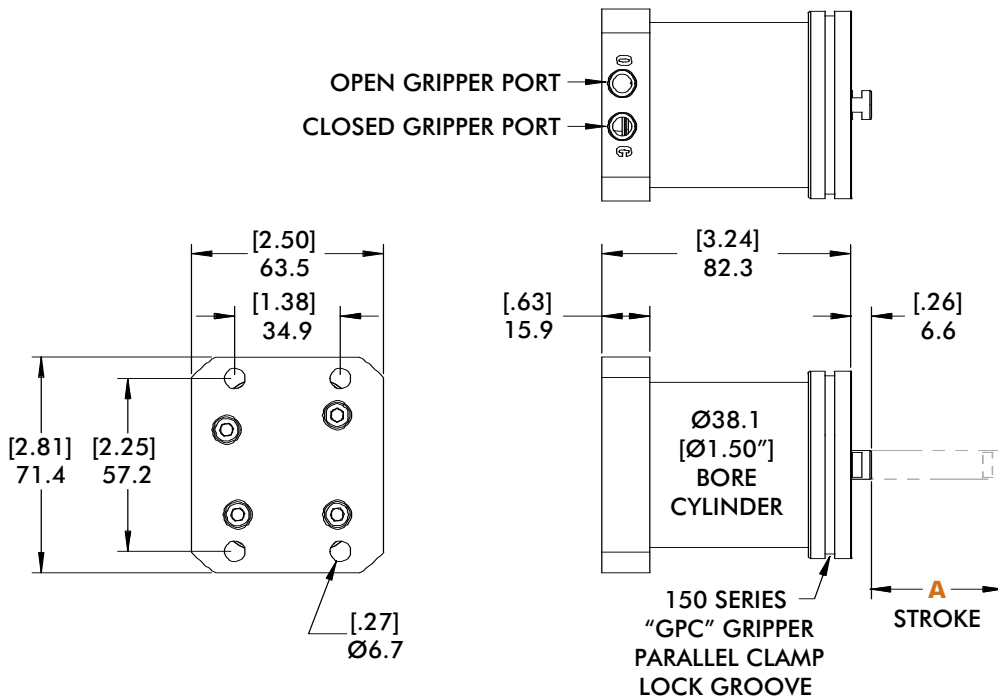


Replacement Part #
GR84-JRA

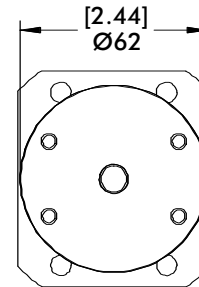
mm [INCH]
 THIRD ANGLE PROJECTION

Cylinder Mount	Length "L"
Bx Flange Base	132.6 [5.22]
Cx Round Base	130.8 [5.15]

GR84 Modular Mini Clamp "Bx" Flange Base Cylinder



Replacement Part #
GR84-CYL-B



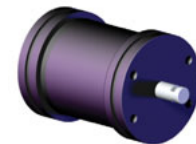
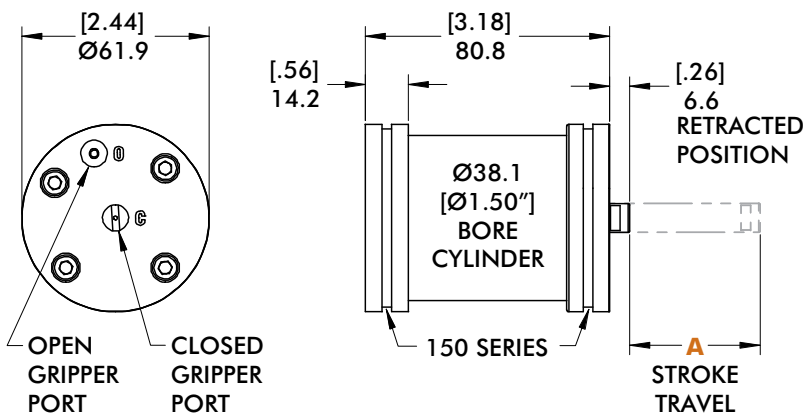
CYLINDER PORTS
E = 1/8" NPT (ENGLISH)
M = 1/8" G (METRIC)

PATENT# 6,619,182

CLOSED GRIPPER PORT
(OPTIONAL FOR LARGER AIR FITTINGS)

JAW OPENING	30°	60°	90°
STROKE "A"	21.3 [.84]	32.8 [1.29]	42.9 [1.69]

"Cx" Round Base Cylinder



Replacement Part #
GR84-CYL-C

CYLINDER PORTS
E = 1/8" NPT (ENGLISH)
M = 1/8" G (METRIC)

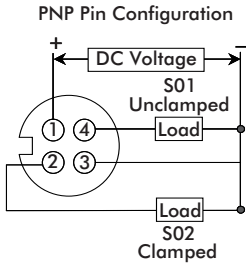
PATENT# 6,619,182

JAW OPENING	30°	60°	90°
STROKE "A"	21.3 [.84]	32.8 [1.29]	42.9 [1.69]



GR84 Modular Mini Clamp
Technical Information

Wiring diagram of electrical sensing system

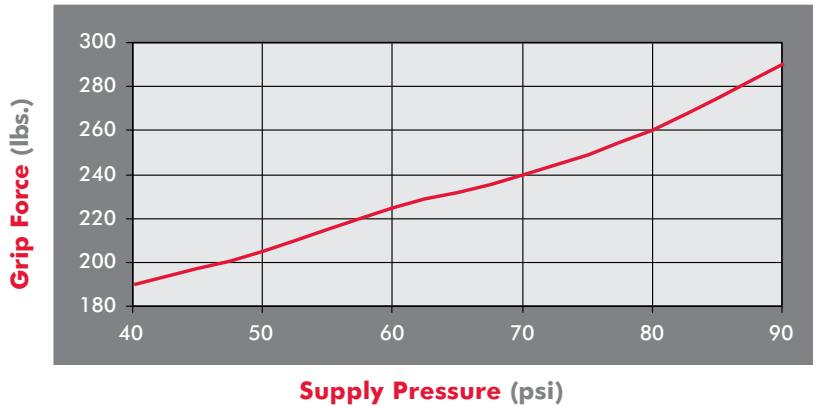


Open/Closed Sensor Options:

"A1" Replacement Part# **"8EA-054-1"** + **"GR84-SB"** 10...30 VDC 150mA, PNP, 4-Pin, M12, Eurofast
(Fasteners required for "A1" replacement: (2x) M5x10-912-ZN, (1x) M4x20-7984

Specifications

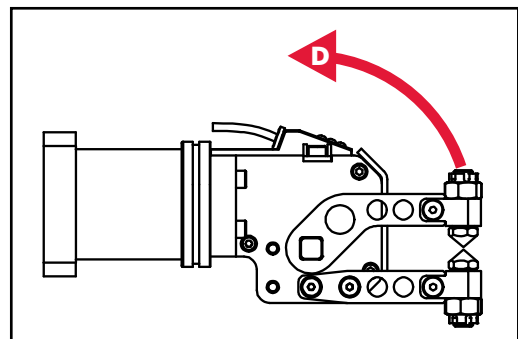
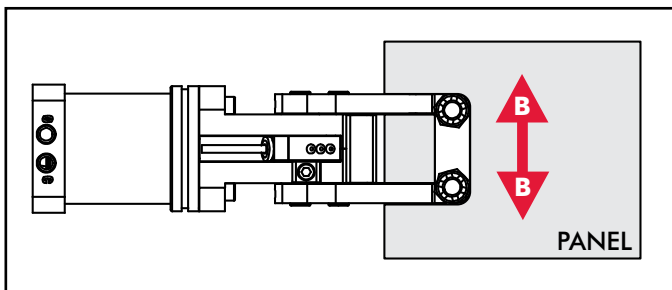
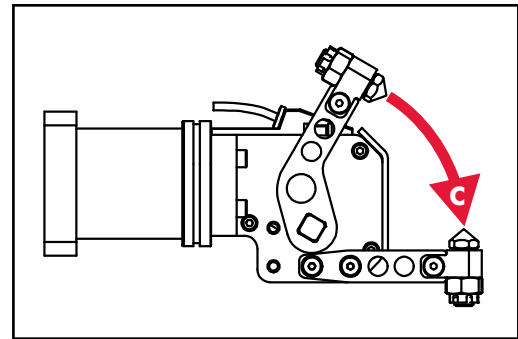
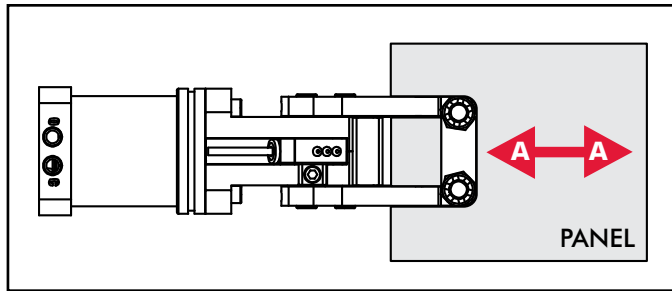
Weight:	1.5 kg [3.2 lb]
Grip Range (Standard and Flange with Jaw Inserts)0mm - 8mm [0 to 0.31"]
Arm Position Tolerance:	±0.33°
Arm Lateral Tolerance:	±0.3mm [0.01]
Cycle Speed @ 60 psi:6 Sec (Open/Closed)



GR84 Modular Mini Clamp

Technical Information

The GR84 Mini-Clamp utilizes a self-locking linkage system. If the air is lost while fully closed, the mini-clamp will continue to hold the part. The amount of air required to achieve the high gripping forces is greater than pressure to release or open the mini-clamp. If there is a slight drop of pressure during the opening cycle, the mini-clamp will still release the part. Other self locking systems can jam and require more air to release the part than it would need to grip it.



Single Jaw Arm Styles				
Pressure	"A"	"B"	"C"	"D"
2.8 bar [40 psi]	31.8 kg [70 lb]	31.8 kg [70 lb]	86.2 kg [190 lb]	294.8 kg [650 lb]
3.4 bar [50 psi]	34.0 kg [75 lb]	34.0 kg [75 lb]	93.0 kg [205 lb]	294.8 kg [650 lb]
4.1 bar [60 psi]	36.3 kg [80 lb]	36.3 kg [80 lb]	102.1 kg [225 lb]	294.8 kg [650 lb]
4.8 bar [70 psi]	38.6 kg [85 lb]	38.6 kg [85 lb]	108.9 kg [240 lb]	294.8 kg [650 lb]
5.5 bar [80 psi]	40.8 kg [90 lb]	40.8 kg [90 lb]	117.9 kg [260 lb]	294.8 kg [650 lb]
6.2 bar [90 psi]	43.1 kg [95 lb]	43.1 kg [95 lb]	131.5 kg [290 lb]	294.8 kg [650 lb]

Double Jaw Arm Styles				
Pressure	"A"	"B"	"C"	"D"
2.8 bar [40 psi]	34.0 kg [75 lb]	34.0 kg [75 lb]	86.2 kg [190 lb]	589.4 kg [1300 lb]
3.4 bar [50 psi]	36.3 kg [80 lb]	36.3 kg [80 lb]	93.0 kg [205 lb]	589.4 kg [1300 lb]
4.1 bar [60 psi]	38.6 kg [85 lb]	38.6 kg [85 lb]	102.1 kg [225 lb]	589.4 kg [1300 lb]
4.8 bar [70 psi]	40.8 kg [90 lb]	40.8 kg [90 lb]	108.9 kg [240 lb]	589.4 kg [1300 lb]
5.5 bar [80 psi]	43.1 kg [95 lb]	43.1 kg [95 lb]	117.9 kg [260 lb]	589.4 kg [1300 lb]
6.2 bar [90 psi]	45.4 kg [100 lb]	45.4 kg [100 lb]	131.5 kg [290 lb]	589.4 kg [1300 lb]