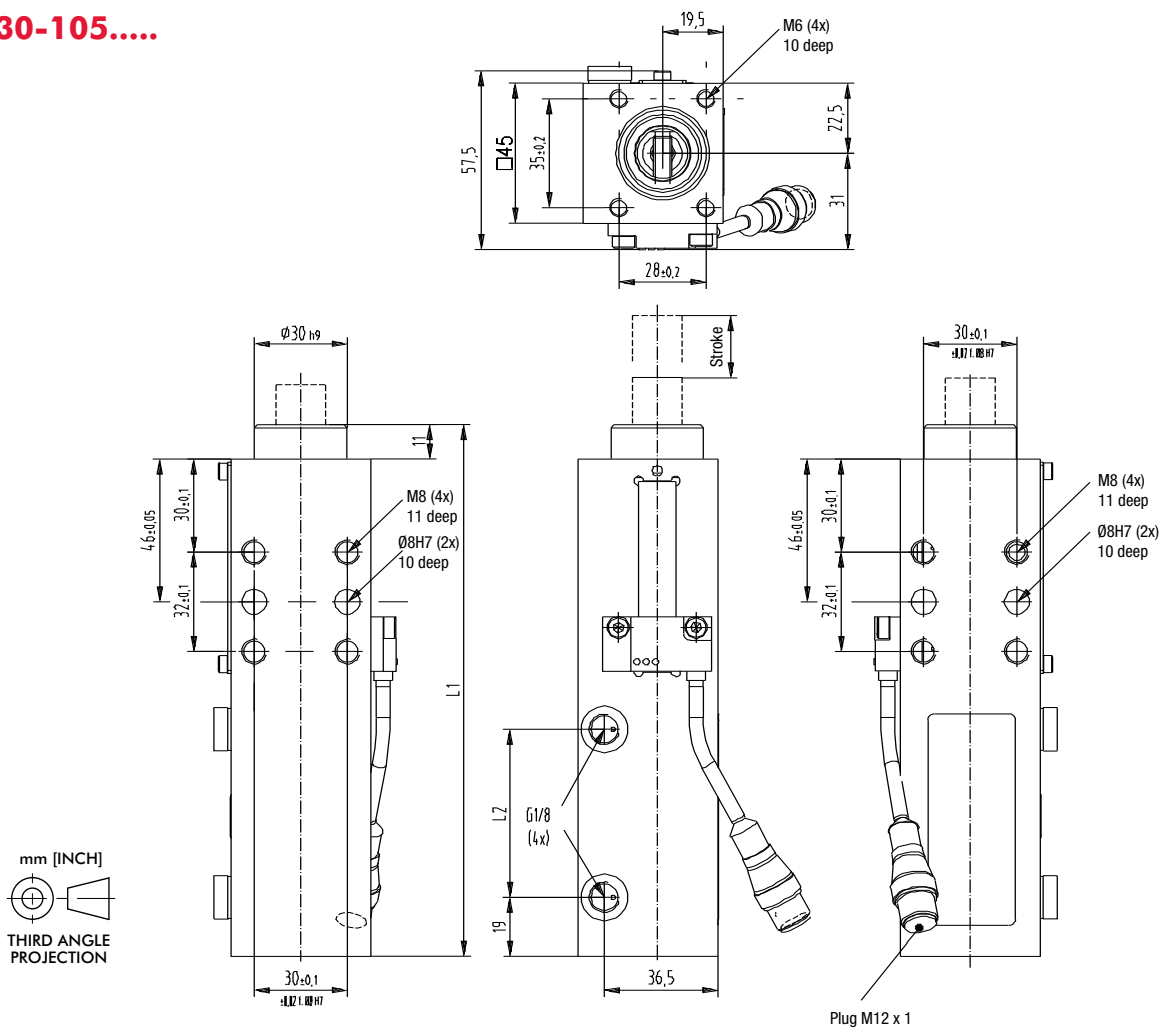


Series **86P30-1** Standard Pin Package Dimensions

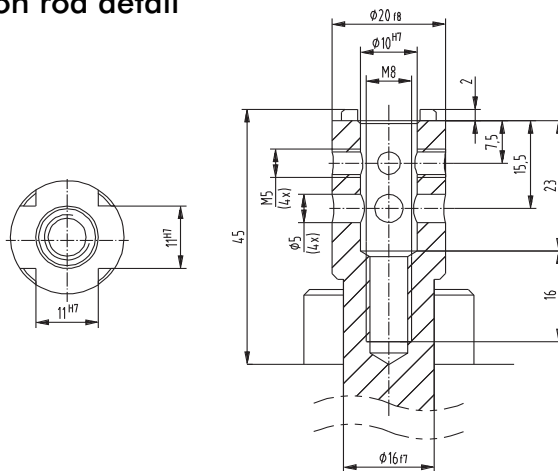
86P30-105.....



mm [INCH]
THIRD ANGLE PROJECTION

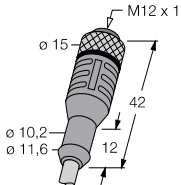
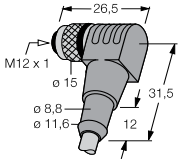
Model no.	L1 [mm]	L1 [mm]	Stroke [mm]
86P30-105..004	171	54	40
86P30-105..002	136	34	20

86P30-105..... Piston rod detail



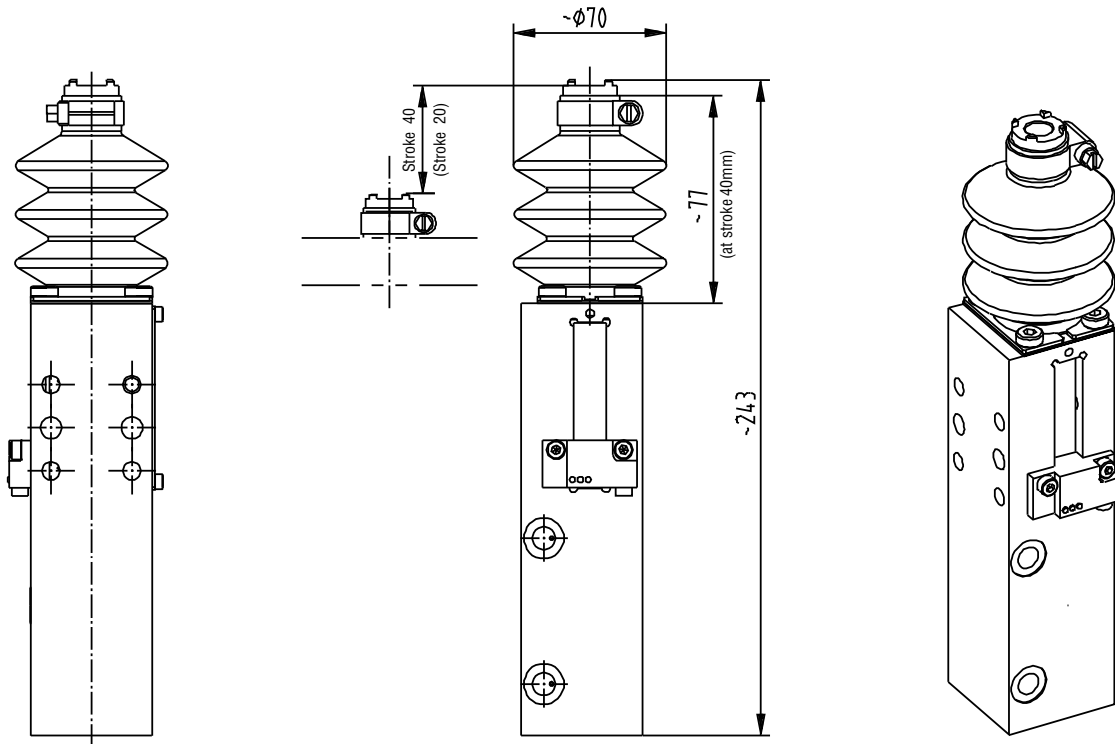
View shows piston rod in retracted position

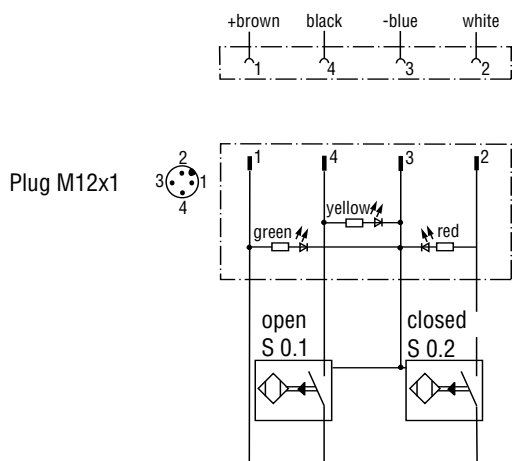
Series **86P30-1** Accessories

Specifications	Order no. for 86P30-105.....
Bellows	82ZB-016-4
Connecting cable (1 connector socket & 5 m cable)	
Connector socket M12x1 straight, 5-pin 	8EL-002-1
Connector socket M12x1 angular, 4-pin 	8EL-003-1

Bellows 82ZB-016-4

Mounted on piston rod





Wiring diagram of electrical sensing system

Sensing system immune to interference from d.c. arc welding and a.c. arc welding

Inductive design:

- **B8** Connector plug M12x1 w/ lead

Major spare parts for **86P30-105.....**

Specifications	Order no. for 86P30-105..4	Order no. for 86P30-105..2
End position sensing system B8 inductive connector plug M12x1 w/ lead	8EA-033-2	8EA-091-1
Seal kit	86P3-1-00	