

Series 82L..-4 Product Overview

Features:

- Lightweight, enclosed aluminum body
- Two mounting areas: front and side
- Toggle-action mechanism
- Compatible with magnetic sensing system

Applications:

- Assembly
- Checking fixtures
- Handling systems

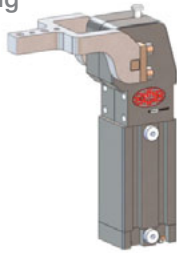
Also Available:

82L..-2 Series: Enclosed version in larger sizes.

See page 15.13

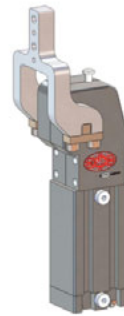
82L..-403.

Horizontal clamping position



82L..-443.

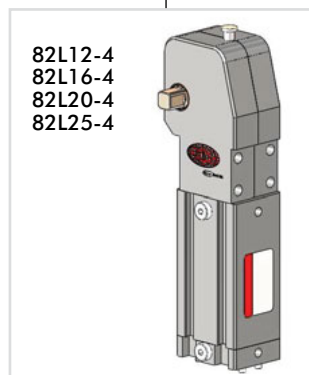
Vertical clamping position



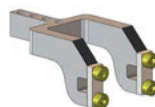
Series 82L..-4... Technical Information, Ordering Information

Model	Max. Holding Torque Nm [lb ft]	Max. Clamping Torque at 5 bar [72 psi] Nm [lb ft]	Weight [with arm] kg [lb]	Air Consumption per double stroke at 5 bar [72 psi] dm ³ [ft ³]	Max. Added Load (at Position, "X") g [oz]
82L12-4030	35 [18.4]	10,4 [3.3]	0,23 [0.5]	0,25 [0.01]	50 [1.8]
82L12-4430	35 [18.4]	8,7 [3.3]	0,23 [0.5]	0,25 [0.01]	50 [1.8]
82L16-4030	40 [29.5]	12,4 [4.4]	0,33 [0.7]	0,27 [0.01]	80 [2.8]
82L16-4430	40 [29.5]	11,0 [4.8]	0,33 [0.7]	0,27 [0.01]	80 [2.8]
82L20-4030	50 [36.8]	21,0 [13.3]	0,42 [0.9]	0,35 [0.01]	90 [3.2]
82L20-4430	50 [36.8]	19,3 [12.5]	0,42 [0.9]	0,35 [0.01]	90 [3.2]
82L25-4030	80 [59]	31,8 [13.3]	0,66 [1.5]	0,40 [0.01]	100 [3.5]
82L25-4430	80 [59]	28,5 [12.5]	0,66 [1.5]	0,40 [0.01]	100 [3.5]

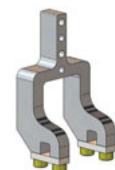
Example Order No.: **82L12-4** **03** **0**



00 = without clamping arm
03 = U-bar, central 90°



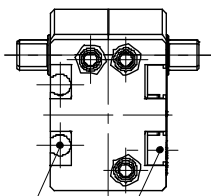
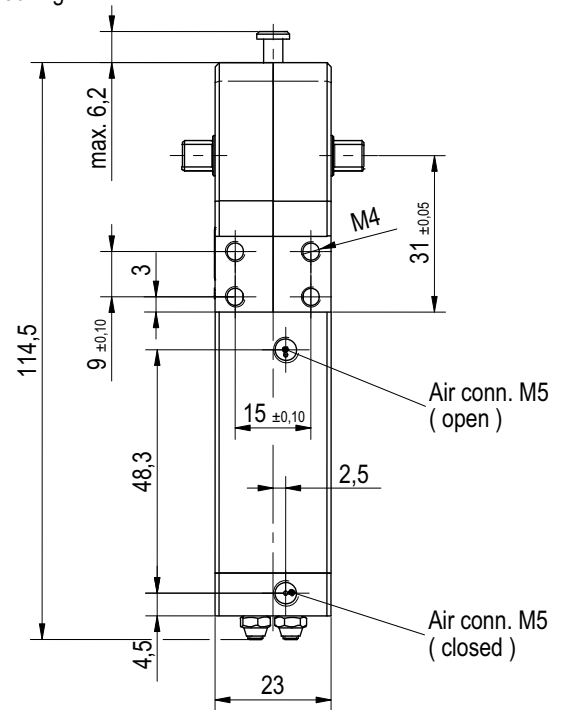
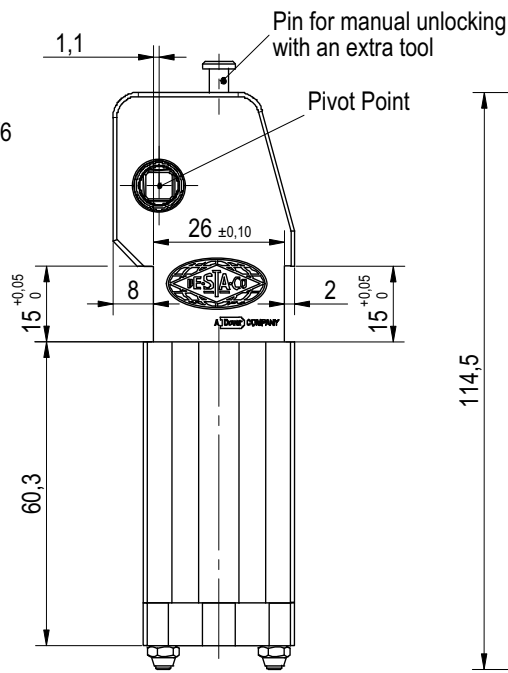
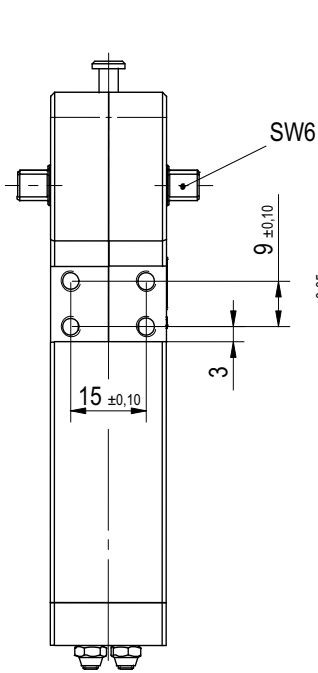
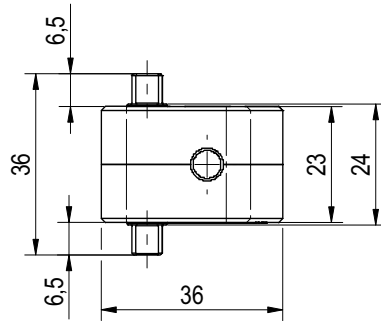
00 = without clamping arm
43 = U-bar, central 180°



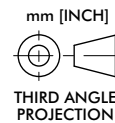
0 = opening angle standard 105°
3 = 90° opening angle
4 = 75° opening angle
5 = 60° opening angle
6 = 45° opening angle
7 = 30° opening angle
8 = 15° opening angle

105° standard opening angle

Series 82L12-4 Standard Clamp Dimensions

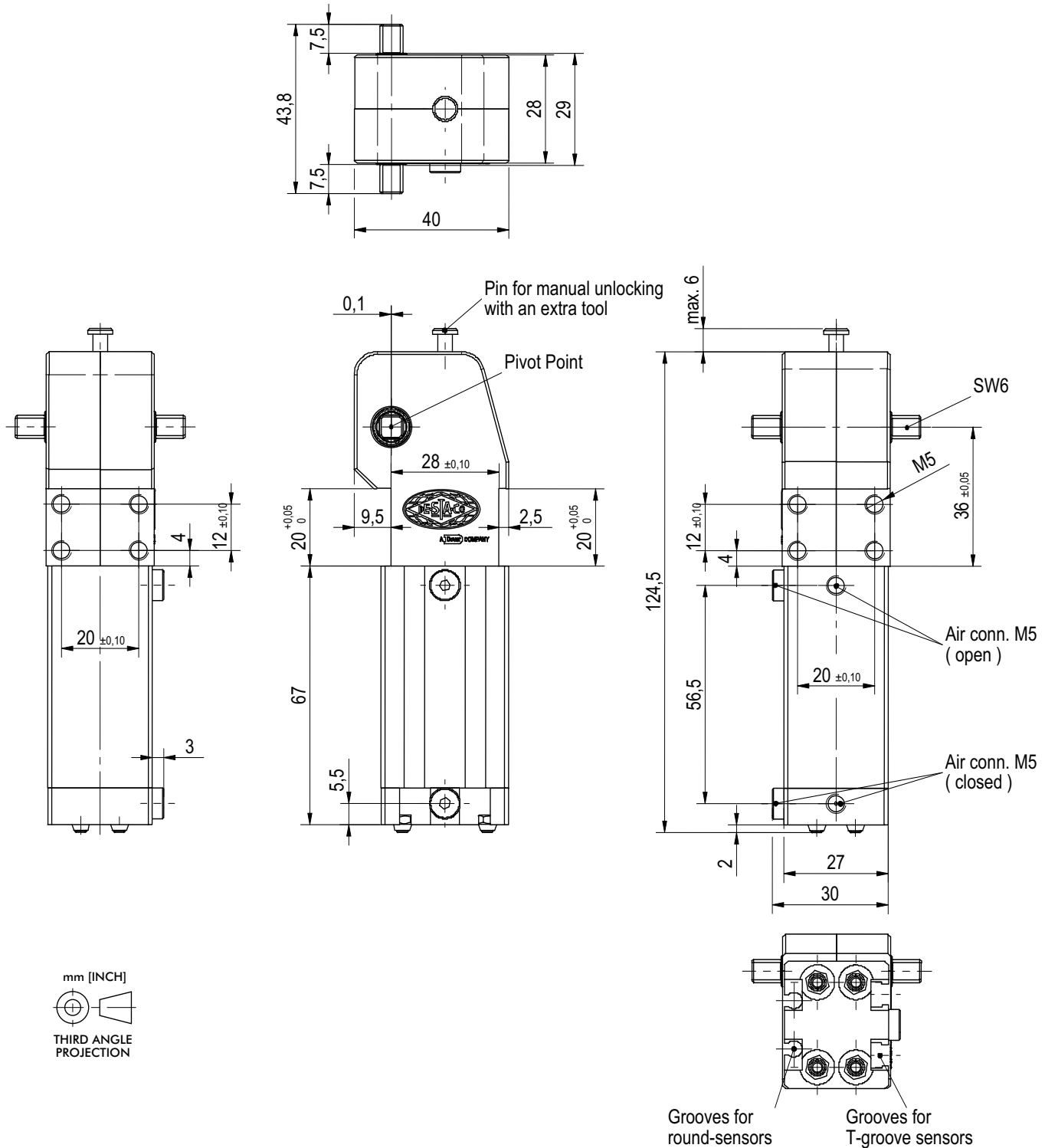


Grooves for round-sensors
Grooves for T-groove sensors



Power by compressed air, max. 6 bar
Operation with oil-free air is permissible.

Series **82L16-4** Standard Clamp Dimensions

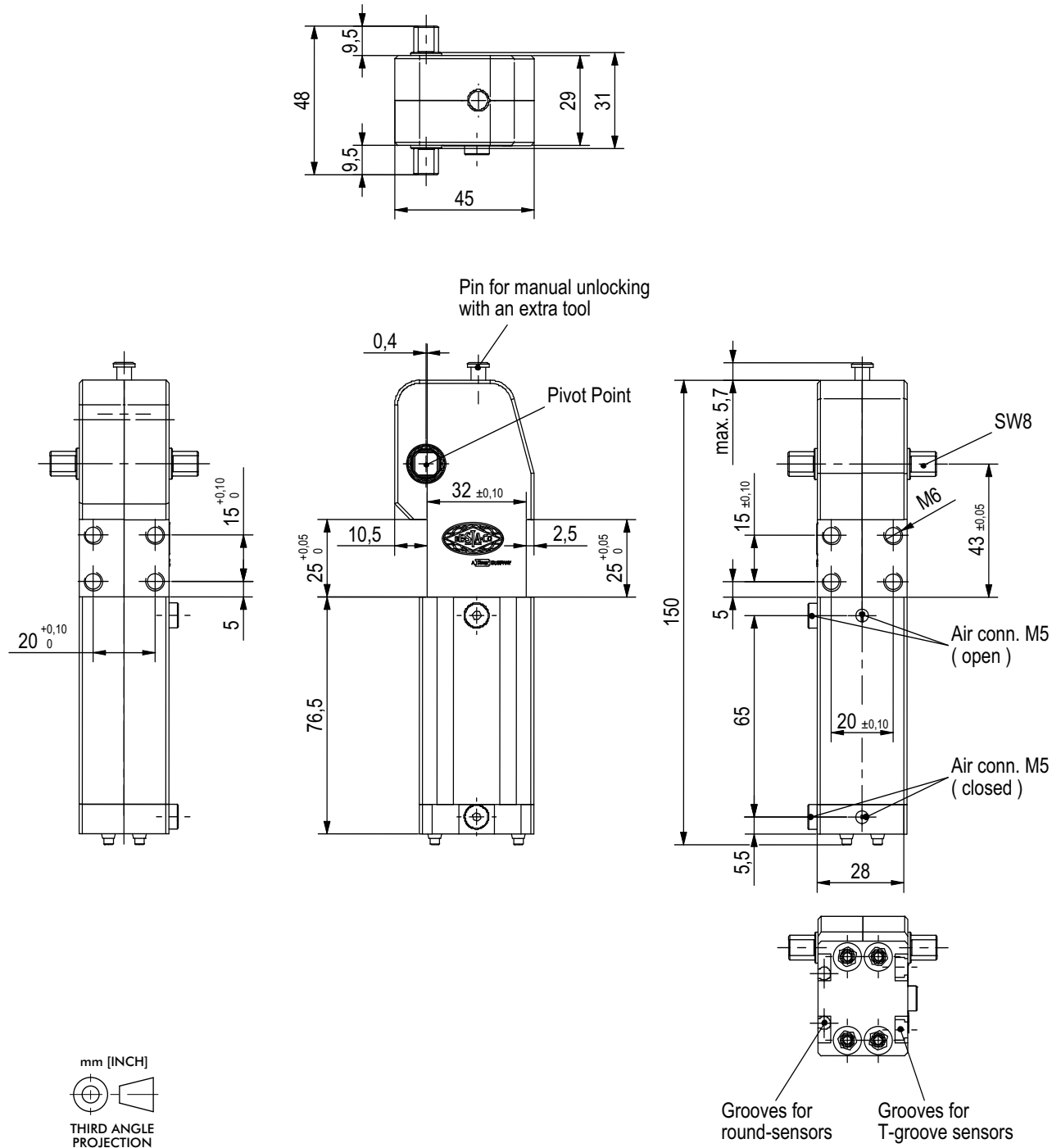


mm [INCH]

 THIRD ANGLE PROJECTION

Power by compressed air, max. 6 bar
 Operation with oil-free air is permissible.

Series 82L20-4 Standard Clamp Dimensions

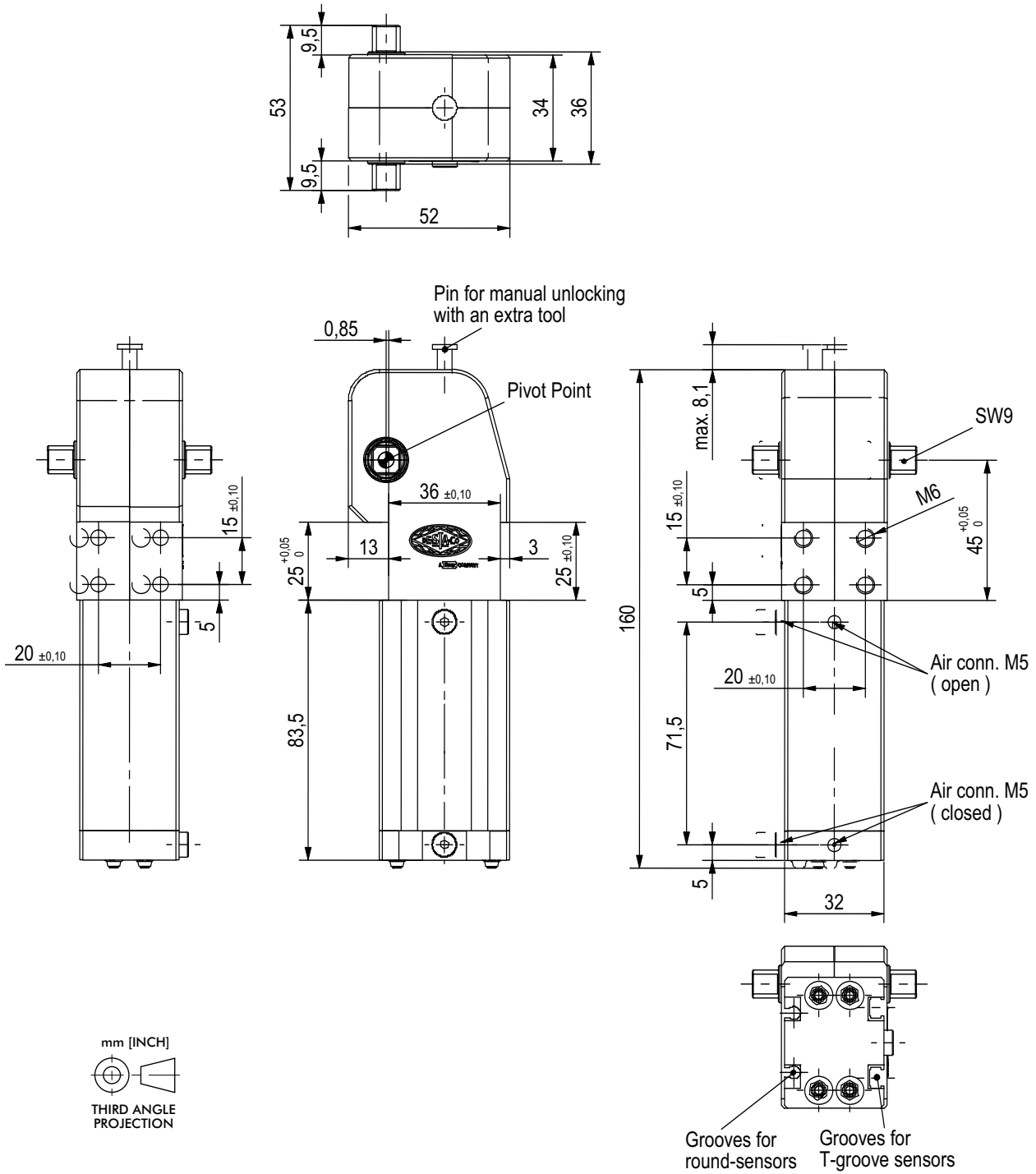


mm [INCH]

 THIRD ANGLE PROJECTION

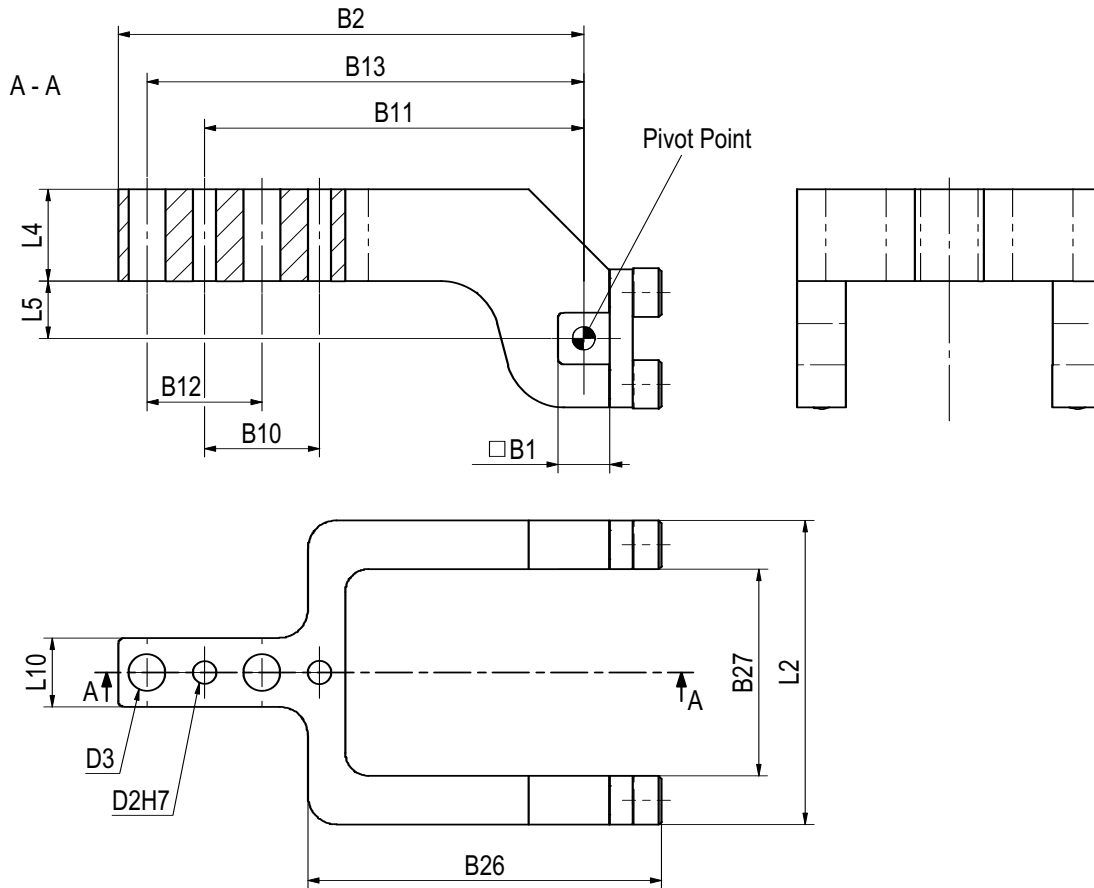
Power by compressed air, max. 6 bar
 Operation with oil-free air is permissible.

Series 82L25-4 Standard Clamp Dimensions



Power by compressed air, max. 6 bar
Operation with oil-free air is permissible.

Series **82L...-4...** Clamp Arm Dimensions

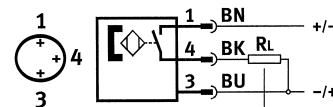


Model	Order no. for Arm	Max. Opening angle	B1	B2	B10 ±0,02	B11 ±0,02	B12 ±0,1	B13 ±0,1	B26	B27	D2 H7	D3	L2	L4	L5	L10
82L12-4...	8JG-401-1-01	105°	6	54	9	45.5	9	50	48.5	24	3	3.3	36	7	10	6
82L16-4...	8JG-402-1-01	105°	6	63	15	50.5	15	58	48.1	29	3	4.5	44	9.5	10	10
82L20-4...	8JG-403-1-01	105°	8	78	20	63	20	73	58	31,2	4	4.5	48	14	10	8
82L25-4...	8JG-404-1-01	105°	9	81	20	66	20	76	61.5	36	4	6.4	53	16	10	12

Accessories

Part no.	Description	Notes
8EA-109-1	Sensor	3-wire cable, M8x1 connector, 3-pin
82ZB-004-1	Adapter	Adapter for mounting 82L20-4..., 82L25-4.... to 25mm dia. bar

8EA-109-1



10V ... max. 30 VAC/VDC
Max. 500 mA
Max. 10 W

BN = Brown
BK = Black
BU = Blue
RL = Load