

Series 9500 Product Overview

Features:

- No linear travel during rotation
- Rod cover to protect rod throughout the entire stroke
- Versatile arm connection
- Fixed orifice porting does not require external flow controls

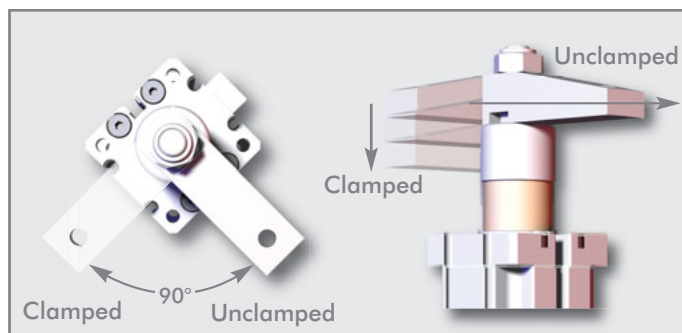
Applications:

- Assembly
- Welding
- Light machining

Also Available:

- See page 12.1 for clamping arms
- See page 13.1 for sensing options

Covered under one year or more U.S./International Patents



Shown with optional clamping arm.

Series 9500 Technical Information

Model	Total Stroke mm[in]	Swing Direction	Weight kg[lb.]	Effective Piston Area for Clamping cm ² [in. ²]	Clamp Volume cm ³ [in. ³]	Unclamp Volume cm ³ [in. ³]	Rod Force @ 6bar[87PSI] N[lbf.]	Seal Kit
9522L	[0.50] 13	LH	[0.94] 0,43	[0.61] 3,90	[0.61] 10	[0.76] 12,5	[53] 235	952290
9522R		RH						
9530L	[0.79] 20	LH	[1.38] 0,63	[1.03] 6,65	[1.33] 21,8	[1.58] 25,9	[90] 400	953090
9530GL								
9530R		RH						
9530GR								
9540L	[0.79] 20	LH	[2.13] 0,97	[1.84] 11,87	[2.36] 38,8	[2.69] 44	[160] 711	954090
9540GL								
9540R		RH						
9540GR								

Rotation Angle: 90°±5°

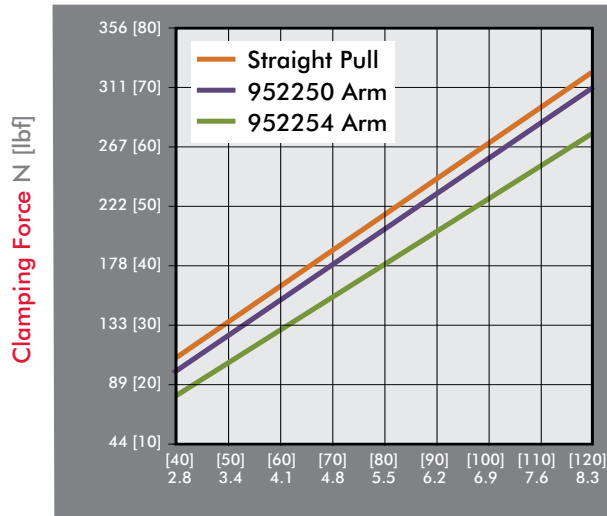
Repeatability: ±1°

Operating Pressure Range: 3bar[40psig] to 8bar[120psig]

Maximum Operating Temperature: 60°C[140°F]

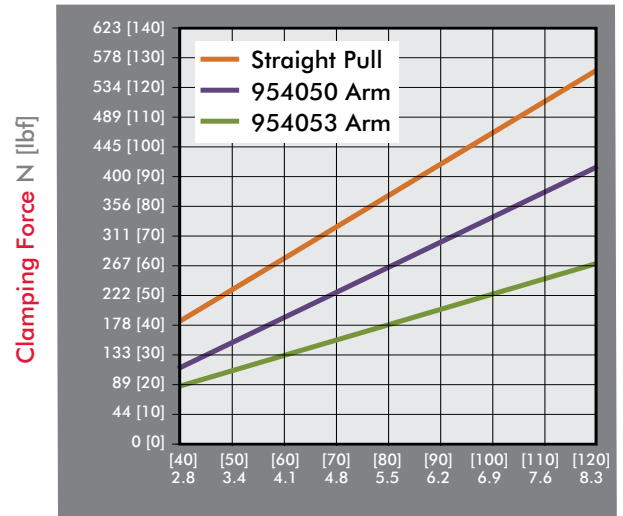
Series 9500 Standard Clamp Dimensions, Clamping Forces

Series 9522 Clamping Force



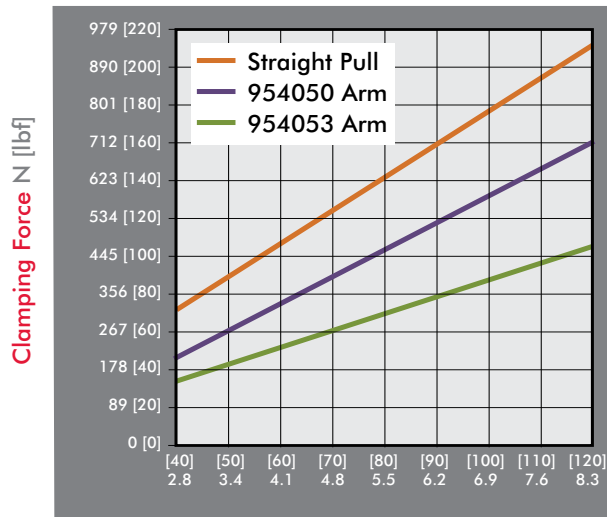
Inlet Pressure bar [PSI]

Series 9530 Clamping Force

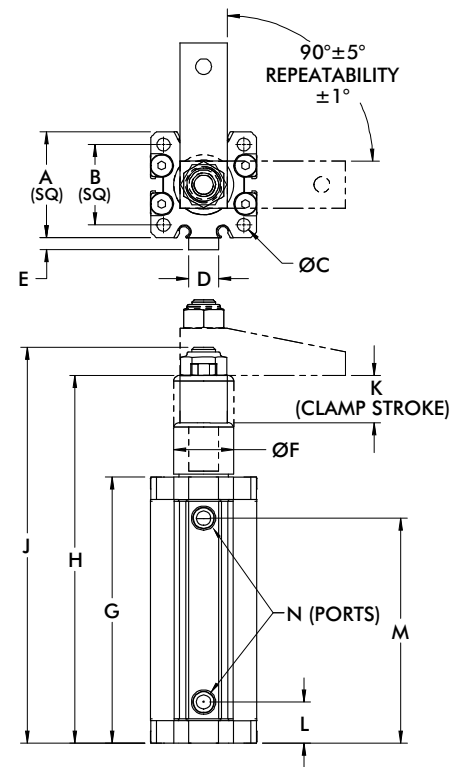


Inlet Pressure bar [PSI]

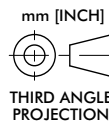
Series 9540 Clamping Force



Inlet Pressure bar [PSI]



Swing Cylinder Rotation: Frame of reference for specifying rotation is the clamp arm viewed from above during the clamping stroke. A right hand unit rotates clockwise and then clamps down; a left-hand unit rotates counter-clockwise and then clamps down.



Model	A	B	C	D	E	F	G	H	J	K	L	M	N
9522	[1.42] 36	[1.00] 25,4		--	--	[0.88] 22	[4.00] 102	[5.10] 131	[5.43] 138	[0.50] 13	[0.54] 14	[3.13] 80	M5
9530	[1.76] 44,7	[1.34] 34	[0.22] 5,5	[0.50] 12,7	[0.20] 5,1	[1.00] 25,4	[4.44] 112,7	[6.13] 155,7	[6.59] 167,3	[0.79] 20	[0.68] 17,4	[3.75] 95,3	1/8NPT
9530G													
9540	[2.05] 52	[1.57] 40		[0.63] 16	[0.35] 9	[1.14] 29	[4.78] 121,4	[6.50] 165	[6.94] 176,2		[0.84] 21,3	[3.97] 100,8	1/8NPT
9540G													G-1/8