

Series 89R Product Overview

Features:

- Swing direction is field adjustable between left, right, or straight. (20mm not linear adjustable)
- Switch ready for Ø4mm or 6.5mmX5mm sensors
- Lightweight and robust, designed for several million cycles
- Clamp arm sold separately

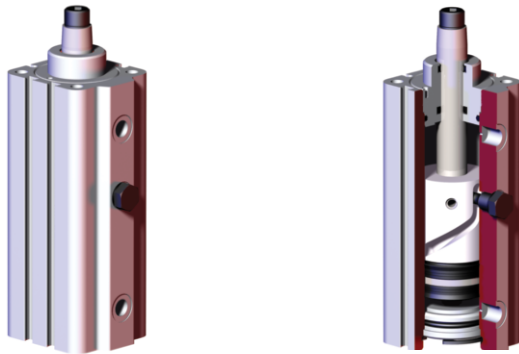
Applications:

- Assembly
- Welding
- Light machining

Also Available:

See page 12.1 - 12.8 for clamping arms and mounting accessories
See page 13.1 for sensing options

89R



Note:
Switches are optional. To order with (2) 8EA-109-1 switches, add **A** to the end of the model. Ex. 89R32-010-2**A**

Series 89R Technical Information

Model	Total Stroke mm[in]	Travel During Rotation mm[in]	Vertical Clamp Stroke mm[in]	Bore Size mm[in]	Clamp Volume cm ³ [in. ³]	Unclamp Volume cm ³ [in. ³]	Clamping Force @ 6bar[87PSI] N[lbf.]†	Weight kg[lb.]	Seal Kit
89R20-010-2	[0.83] 21	[0.43] 11		[0.79] 20	[0.03] 4,9	[0.40] 6,6	[22] 96	[0.66] 0,30	89R20-00
89R32-010-2	[1.10] 28	[0.61] 18	[0.39] 10	[1.26] 32	[1.18] 19,4	[1.37] 22,5	[67] 300	[1.32] 0,60	89R32-00
89R40-010-2	[1.24] 31,5	[0.85] 21,5		[1.57] 40	[2.03] 33,3	[2.42] 39,6	[103] 456	[2.09] 0,95	89R40-00
89R40-025-2	[1.83] 46,5				[3.00] 49,1	[3.57] 58,4		[2.43] 1,10	
89R50-025-2	[2.05] 52	[1.06] 27	[0.98] 25	[1.97] 50	[5.42] 88,9	[6.23] 102,1	[167] 744	[3.97] 1,80	89R50-00
89R63-025-2	[2.30] 58,5	[1.32] 33,5		[2.48] 63	[11.13] 164	[11.13] 182,4	[263] 1170	[6.17] 2,80	89R63-00

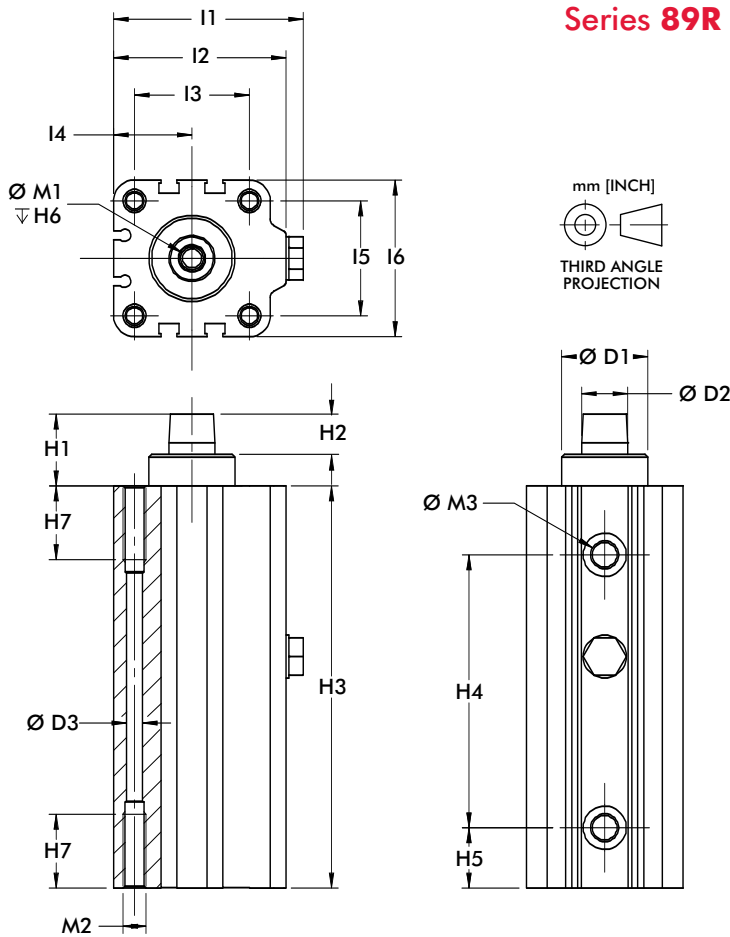
† with standard clamping arm

Rotation Angle: 90°±5°

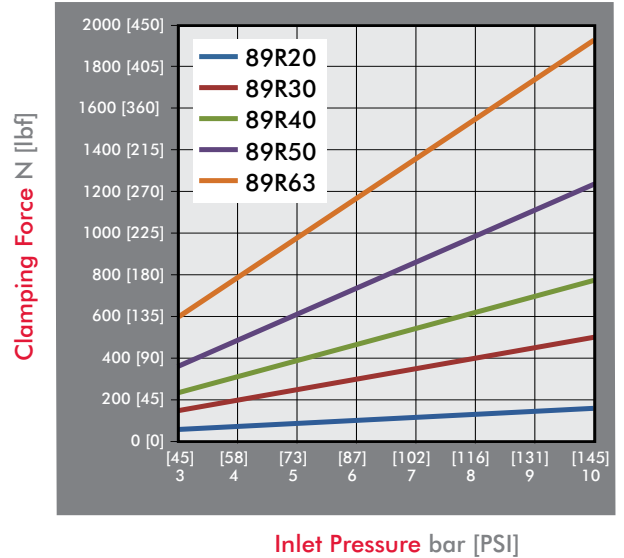
Operating Pressure Range: 2bar[30psig] to 10bar[145psig]

Maximum Operating Temperature: -20°C to 80°C [-4°F to 176°F]

Series 89R Standard Clamp Dimensions, Clamping Forces



Series 89R Clamping Force (w/ standard clamping arm)



Swing Cylinder Rotation: Frame of reference for specifying rotation is the clamp arm viewed from above during the clamping stroke. A right hand unit rotates clockwise and then clamps down; a left-hand unit rotates counter-clockwise and then clamps down.

Model	ØD1 H9	ØD2 F7	ØD3	H1	H2	H3	H4	H5	H6	H7	L1	L2
89R20-010-2	[0.71] 18	[0.39] 10	[0.18] 4,6	[0.78] 19,8	[0.32] 8	[4.15] 105,5	[2.60] 66	[0.52] 13,2	[0.59] 15	[0.55] 14	[1.56] 39,5	[1.38] 35
89R32-010-2	[0.87] 22	[0.47] 12		[0.93] 23,7		[4.92] 125	[3.27] 83	[0.69] 17,5		[0.63] 16	[2.36] 60	[2.13] 54
89R40-010-2	[1.18] 30	[0.63] 16	[0.22] 5,5	[0.98] 25	[0.43] 11	[5.51] 140	[3.74] 95	[0.83] 21	[0.67] 17		[2.60] 66	[2.36] 60
89R40-025-2						[6.69] 170	[4.92] 125			[0.98] 25		
89R50-025-2	[1.57] 40	[0.71] 18	[0.29] 7,4	[1.24] 31,4		[7.70] 195,5	[5.39] 137	[1.05] 26,7			[3.09] 78,5	[2.85] 72,5
89R63-025-2	[1.77] 45	[0.78] 20	[0.37] 9,3	[1.30] 33	[0.59] 15	[8.33] 211,5	[6.08] 154,5	[1.04] 26,5			[3.74] 95	[3.46] 88

Model	L3	L4	L5	L6	M1	M2	M3
89R20-010-2	[0.87] 22	[0.63] 16	[0.87] 22	[1.26] 32	M5	M6	M5
89R32-010-2	[1.42] 36	[0.94] 24	[1.26] 32	[1.77] 45	M6		
89R40-010-2	[1.57] 40	[1.07] 27,3	[1.57] 40	[2.15] 54,5	M8	M8	G-1/8
89R40-025-2							
89R50-025-2	[1.97] 50	[1.28] 32,5	[1.97] 50	[2.56] 65		M10	
89R63-025-2	[2.44] 62	[1.57] 40	[2.44] 62	[3.15] 80	M10	M12	G-1/4

