

Series 89B, 8100, 8300 Product Overview

Features:

- Proven, reliable designs
- Lightweight and robust, designed for several million cycles
- Can be mounted from the side or top

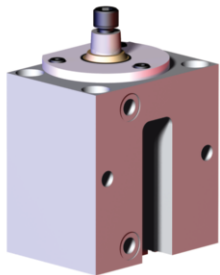
Applications:

- Assembly
- Welding
- Light machining

Also Available:

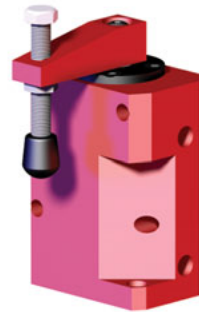
See page 12.1 - 12.9 for clamping arms and mounting accessories  
See page 13.1 for sensing options

Series 89B ■



Available in 20, 30, 40, 50, and 63mm bore sizes.  
Switches are optional. To order with (2) 8EA-109-1 switches, add **A** to the end of the model. Ex. 89B30-010-1**RA**  
Clamping arm sold separately, see page 12.2-12.5

Series 8100, 8300 ▲



Sensor ready.  
Supplied with clamping arm and spindle.  
To order without clamping arm add **-LA** to the end of the model. Ex. 8115-**LA**

Series 89B, 8100, 8300 Technical Information

Model	Swing	Total Stroke mm[in]	Travel During Rotation mm[in]	Vertical Clamp Stroke mm[in]	Bore Size mm[in]	Clamp Volume cm <sup>3</sup> [in. <sup>3</sup> ]	Unclamp Volume cm <sup>3</sup> [in. <sup>3</sup> ]	Clamping Force @ 6bar[87PSI] N[lbf.]†	Weight kg[lb.]	Seal Kit
■ 89B20-010-1R	R	[0.79]	[0.39]		[0.79]	[0.29]	[0.38]	[22]	[1.70]	8940-3-00
■ 89B20-010-1L	L	20	10		20	4,71	6,28	97	0,77	
■ 89B30-010-1R	R	[0.83]	[0.43]	[0.39]	[1.18]	[0.76]	[0.91]	[63]	[2.43]	8945-3-00
■ 89B30-010-1L	L	21	11	10	30	12,47	14,85	280	1,10	
■ 89B40-010-1R	R	[0.94]	[0.55]		[1.57]	[1.55]	[1.84]	[103]	[3.26]	8950-3-00
■ 89B40-010-1L	L	24	14		40	25,34	30,16	460	1,48	
■ 89B50-025-1R	R	[1.57]	[0.59]	[0.98]	[1.97]	[4.17]	[4.79]	[194]	[5.73]	8952-3-00
■ 89B50-025-1L	L	40	15	25	50	68,37	78,55	865	2,6	
■ 89B63-008-1R	R	[1.02]	[0.71]	[0.32]	[2.48]	[4.45]	[4.95]	[298]	[6.24]	8955-3-00
■ 89B63-008-1L	L	26	18	8	63	72,89	81,06	1330	2,83	
▲ 8115	R	[0.85]	[0.47]	[0.38]	[0.75]	[0.25]	[0.38]	[25]	[0.68]	801560
▲ 8116	L	21,5	11,8	9,7	19,1	4,1	6,23	110	0,31	
▲ 8315	R	[1.25]	[0.75]	[0.50]	[1.50]	[2.01]	[2.26]	[89]	[2.00]	821560
▲ 8316	L	31,8	19,1	12,7	38,1	32,94	37,03	400	0,91	

† with standard clamping arm Preferred Market: ▲ NA/SA ■ Europe ● Global

Operating Pressure Range:

89B: 3bar [30psig] to 10bar [145psig] (89B20 8bar [116psig] max.)

8100, 8300: 3bar [30psig] to 9bar [130psig]

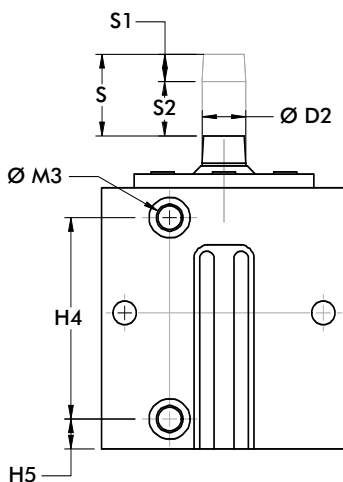
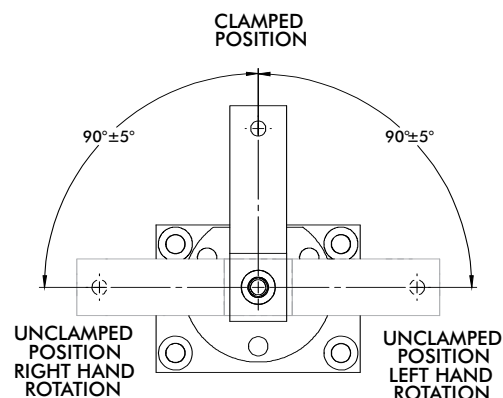
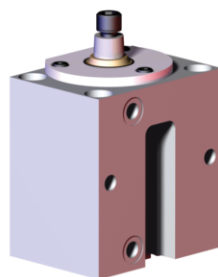
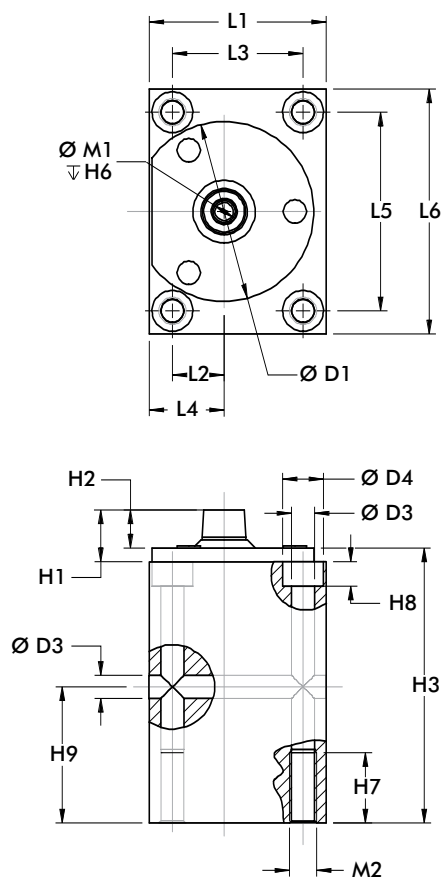
Maximum Operating Temperature:

89B: -20°C to 80°C [-4°F to 176°F]

8100, 8300: -18°C to 60°C [0°F to 140°F]

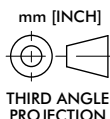
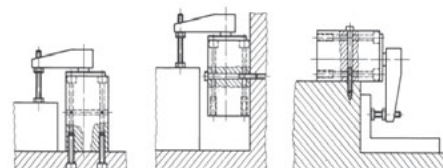


Series 89B Standard Clamp Dimensions



Swing Cylinder Rotation: Frame of reference for specifying rotation is the clamp arm viewed from above during the clamping stroke. A right hand unit rotates clockwise and then clamps down; a left-hand unit rotates counter-clockwise and then clamps down.

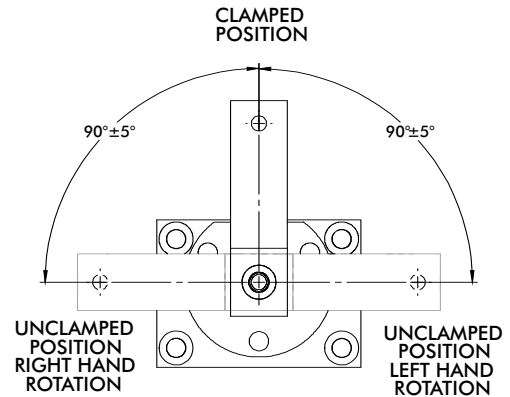
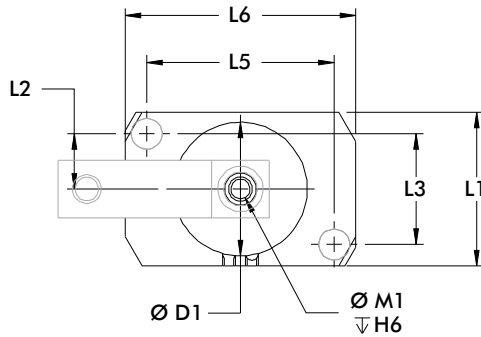
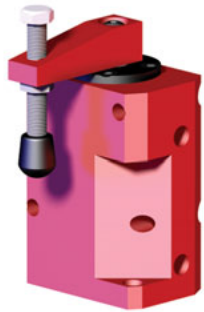
Mounting Options



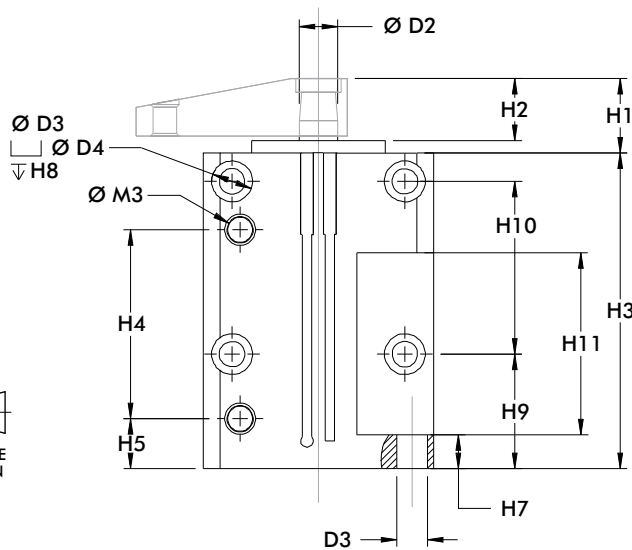
Model	ØD1	ØD2	ØD3	H1	H2	H3	H4	H5	H6	H7	L1	L2
89B20	[1.89] 48	[0.39] 10	[0.26] 6,6	[0.69] 17,5	[0.37] 9,5	[3.46] 88	[2.31] 58,7	[0.35] 9	[0.59] 15	[0.79] 20	[1.77] 45	[0.45] 11,5
89B30	[2.52] 64	[0.47] 12	[0.33]	[0.63] 16	[0.43] 11	[3.70] 94	[2.72] 69,2	[0.39] 10	[0.67] 17	[0.98]	[2.17] 55	[0.55] 14
89B40	[2.95] 75	[0.63] 16	8,5	[0.75] 19	[0.55] 14	[3.98] 101	[2.91] 74			25	[2.56] 65	[0.75] 19
89B50	[3.54] 90	[0.71] 18	[0.41]	[0.98] 25	[0.67] 17	[5.51] 140	[4.29] 109	[0.43] 11	[0.98] 25	[1.18]	[2.95] 75	[0.94] 24
89B63	[4.13] 105	[0.79] 20	10,5	[1.06] 27	[0.75] 19	[4.53] 115	[3.35] 85		[0.79] 20	30	[3.54] 90	[1.18] 30

Model	L3	L4	L5	L6	M1	M2	M3
89B20	[1.18] 30	[0.75] 19	[2.36] 60	[2.95] 75	M5	M8	M5
89B30	[1.50] 38	[0.89] 22,5	[2.68] 68	[3.35] 85	M6	M10	
89B40	[1.89] 48	[1.08] 27,5	[2.87] 73	[3.54] 90	M8		G-1/8
89B50	[2.17] 55	[1.34] 34	[3.54] 90	[4.33] 110		M12	
89B63	[2.76] 70	[1.57] 40	[3.94] 100	[4.72] 120	M10		G-1/4

Series 8100, 8300 Standard Clamp Dimensions

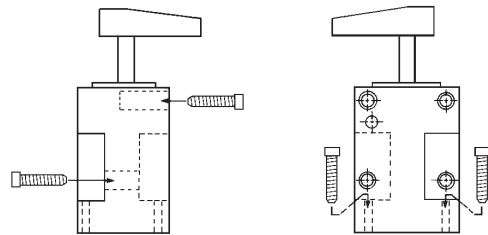


Swing Cylinder Rotation: Frame of reference for specifying rotation is the clamp arm viewed from above during the clamping stroke. A right hand unit rotates clockwise and then clamps down; a left-hand unit rotates counter-clockwise and then clamps down.



mm [INCH]  
THIRD ANGLE PROJECTION

Mounting Options

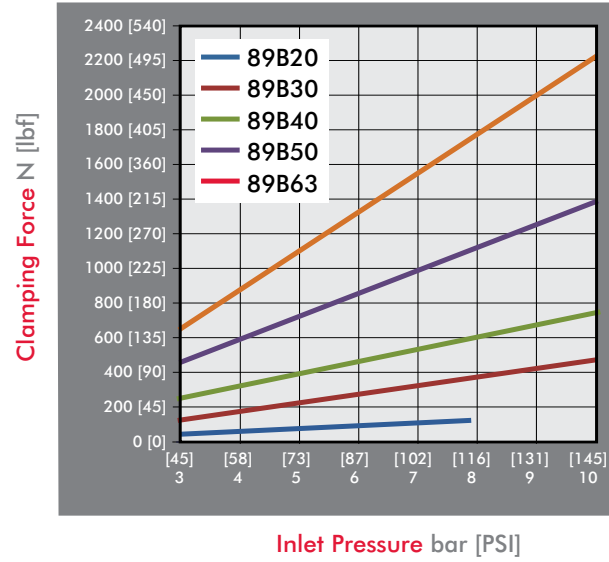
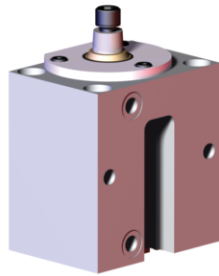


Model	ØD1	ØD2	ØD3	ØD4	H1	H2	H3	H4	H5	H6	H7	H8
8115	[1.23]	[0.44]	[0.20]	--	[0.53]	[0.41]	[3.37]	[1.45]	[0.35]	[0.75]	[0.25]	--
8116	31,2	11,2	5,1	--	13,5	10,4	85,6	36,8	8,9	19,1	6,4	--
8315	[1.74]	[0.50]	[0.33]	[0.53]	[0.97]	[0.81]	[4.11]	[2.46]	[0.65]	[0.67]	[0.44]	[1.00]
8316	44,2	12,7	8,4	13,5	24,6	20,6	104,4	62,5	16,5	17	11,2	25,4

Model	H9	H10	H11	L1	L2	L3	L5	L6	M1	M3
8115	[1.37]	[1.00]	[1.00]	[1.25]	[0.47]	[0.94]	[0.94]	[1.25]	1/4-20	#10-32
8116	34,8	25,4	25,4	31,8	11,9	23,9	23,9	31,8		
8315	[1.49]	[2.25]	[2.37]	[2.00]	[0.72]	[1.44]	[2.44]	[3.00]	5/16/18	1/8 NPT
8316	37,9	57,2	60,2	50,8	18,3	36,6	62	76,2		

Series 89B, 8100, 8300 Clamping Forces

Series 89B Clamping Force  
(w/ standard clamping arm)



Series 8100, 8300 Clamping Force  
(w/ standard clamping arm)

