

Series 603, 608 Product Overview

Features:

- Allow handle to rotate and fall below mounting plane to lock in retracted position
- Large holding capacities for their size
- Available with DE-STA-CO® Toggle Lock Plus

Applications:

- Assembly & test
- Checking fixtures
- Welding fixtures
- Tensioning devices

Also Available:

- See page 8.1 for accessories
- 803 Pneumatic Toggle Clamp  
See page 10.27
- 803-ME Pneumatic Toggle Clamp  
See page 10.27

Covered under one year or more U.S./International Patents

▲ 603

● 603-M



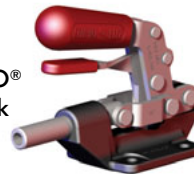
▲ 603-SS

● 603-MSS  
Stainless Steel



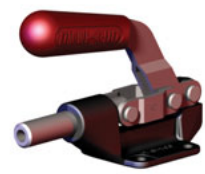
▲ 603-R

● 603-MR  
with  
DE-STA-CO®  
Toggle Lock  
Plus

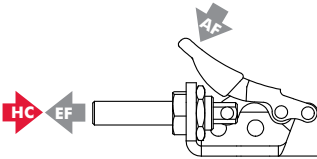


▲ 608

● 608-M



Series 603, 608 Technical Information, Holding Capacities



Model	Max. Holding Capacity	Weight	EF:AF (pushing/pulling)	Plunger Travel	(M) Plunger Thread	Recommended Spindle (Not Supplied)
▲ 603	[600 lbf] 2670 N				5/16-18	207203
● 603-M					M8	207203-M
▲ 603-SS	[840 lbf] 3740 N	[0.83lb] 0,38kg	23:1/34:1	[1.25] 31,8	5/16-18	207943
● 603-MSS					M8	207943-M (supplied)
▲ 603-R	[600 lbf] 2670 N				5/16-18	207203
● 603-MR					M8	207203-M
▲ 608	[850 lbf] 3780 N	[1.25lb] 0,57kg	44:1/50:1	[1.63] 41,3	3/8-16	210203
● 608-M					M10	210203-M

HC = Holding Capacity, EF = Exerting Force, AF = Applied Force  
Preferred Market: ▲ NA/SA ■ Europe ● Global



## Series 603, 608 Standard Clamp Dimensions 603/608/-M/-SS/-MSS/-R/-MR

▲ 603

● 603-M



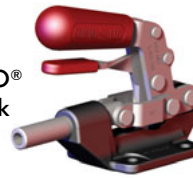
▲ 603-SS

● 603-MSS  
Stainless Steel



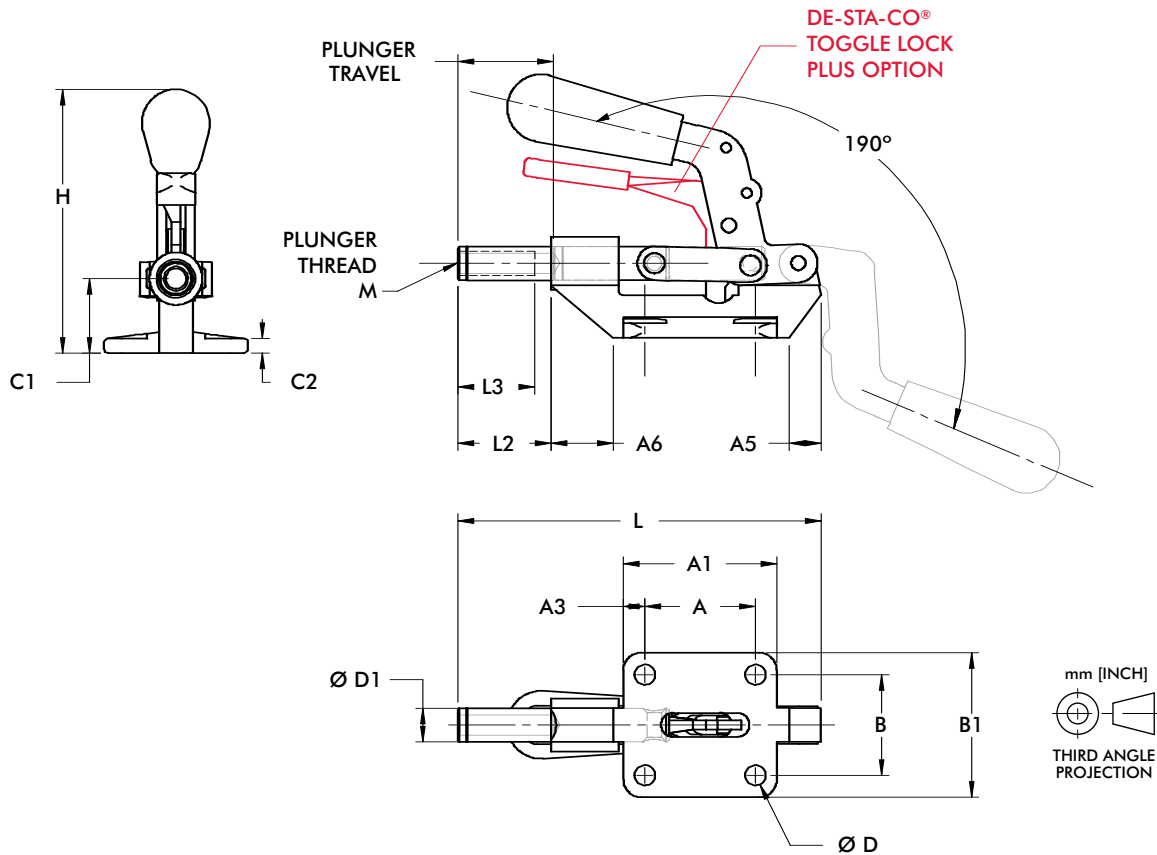
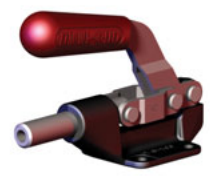
▲ 603-R

● 603-MR  
with  
DE-STA-CO®  
Toggle Lock  
Plus



▲ 608

● 608-M



Model	A	A1	A3	A5	A6	B	B1	C1	C2	D	D1	H	L	L2	L3	
<b>603</b>				[0.58] 15	[0.94] 24						[0.44] 11		[4.73] 120	[1.22] 31		
<b>603-M</b>				[0.62] 16	[0.88] 22						[0.47] 12		[4.80] 122	[1.30] 33		
<b>603-SS</b>	[1.44] 37	[2.00] 51	[0.28] 7	[0.58] 15	[0.94] 24	[1.31] 33	[1.88] 48	[0.97] 25				[3.43] 87	[4.73] 120	[1.22] 31	[1.00] 25	
<b>603-MSS</b>				[0.62] 16	[0.88] 22				[0.19] 5		[0.27] 7		[4.80] 122	[1.30] 33		
<b>603-R</b>				[0.58] 15	[0.94] 24						[0.44] 11		[4.73] 120	[1.22] 31		
<b>603-MR</b>				[0.62] 16	[0.88] 22								[4.80] 122	[1.30] 33		
<b>608</b> <b>608-M</b>	[1.63] 41	[2.25] 57	[0.31] 8	[0.75] 19	[1.40] 36	[1.63] 41	[2.25] 57	[1.25] 32			[0.33] 8	[0.62] 16	[4.12] 105	[6.00] 152	[1.60] 41	[1.25] 32

Dimensions shown mm [inch]