

Series 385 Product Overview

Features:

- Heavy duty U-hook style latch clamps are supplied with threaded U-hooks for easy adjustment
- Supplied with patented thumb control lever for one handed operation
- DE-STA-CO® Toggle Lock Plus versions available

Applications:

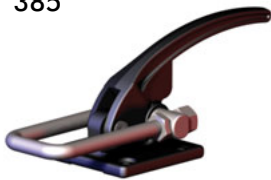
- Molding
- Closures for doors, lids, covers
- Assembly

Also Available:

- Clamps with longer hooks available Upon Request that are 25mm, 50mm, 100mm longer than standard length
- To order clamp with longer hook, add **-M-25**, **-M-50**, or **-M-100** to the end of the model. Example: 385-**M-50**

Covered under one year or more U.S./International Patents

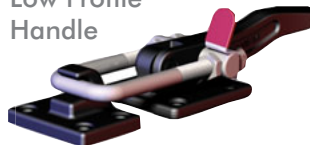
385



385-**R** with DE-STA-CO® Toggle Lock Plus



385-**L** Low Profile Handle



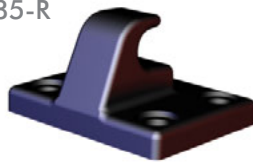
385-**V2A** ⓘ Stainless Steel



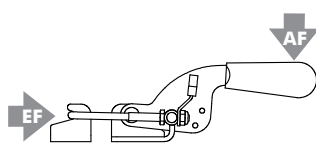
375509 Optional Cleat



385102 Optional Latch Plate for 385, 385-R and 385-L



Series 385 Technical Information, Holding Capacities

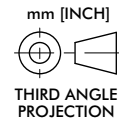
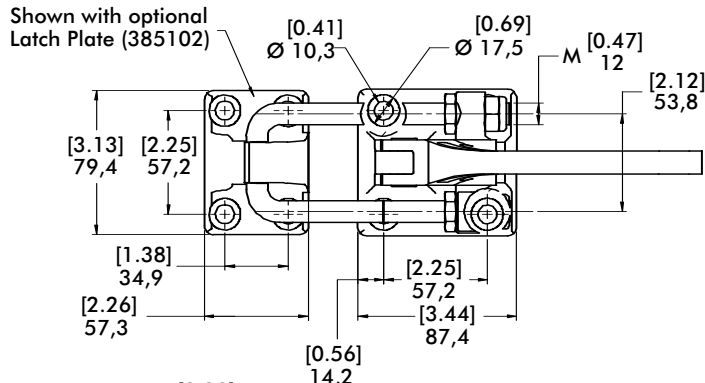


Model	Max. Holding Capacity	Weight	EF:AF	Drawing Movement	Latch Plate	Replacement Hook Assembly	Hook Adj. Range
385		[3.3lb] 1,50kg					
385-R	[7500 lbf] 33300 N	[3.4lb] 1,54kg	44:1	55,6 [2.19]	385102 (Optional)	385104	36.1 [1.42]
385-L		[3.3lb] 1,50kg			375509 (Optional)		
385-V2A ⓘ	[6000 lbf] 26700 N				Supplied	ⓘ 385915	45 [1.77]

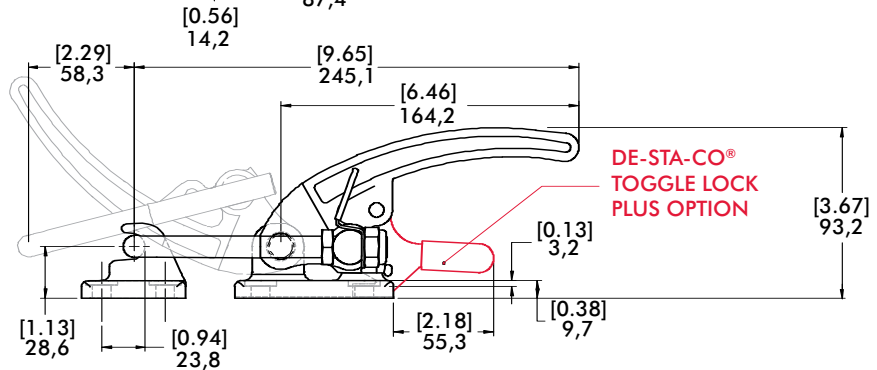
ⓘ This item is available upon request EF = Exerting Force, AF = Applied Force

Series 385, 385-R Standard Clamp Dimensions

385

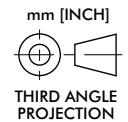
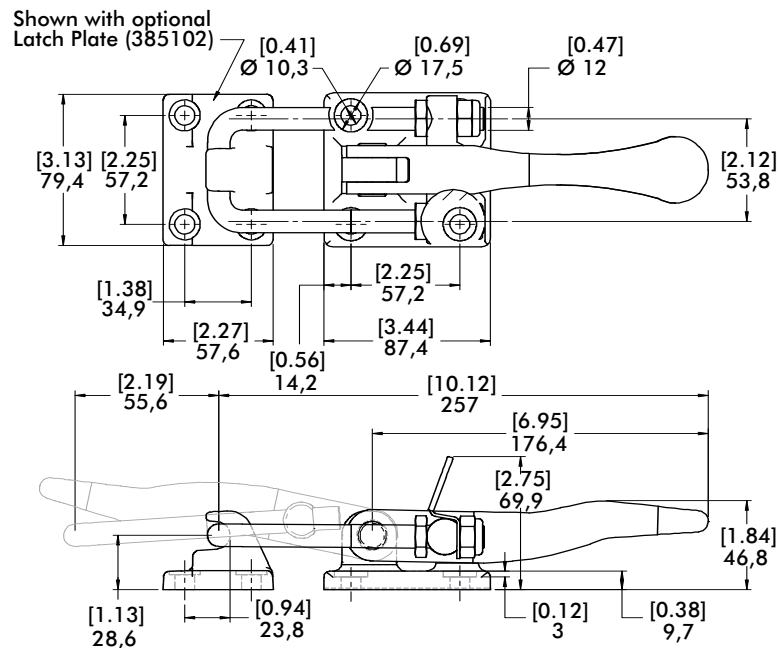
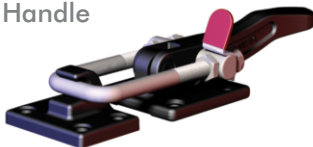


385-R
with DE-STA-CO®
Toggle Lock
Plus

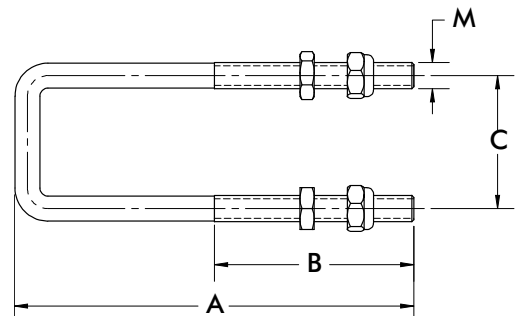


Series 385-L Standard Clamp Dimensions

385-L
Low Profile
Handle



Replacement Hook Assembly	A	B	C	M
385915				
385104	133 [5.24]	70 [2.75]	53,8 [2.12]	M12



Series **385-V2A** Standard Clamp Dimensions

385-V2A

