



Series 330, 351, 371, 381 Product Overview

Features:

- J-hook style latch clamps are supplied with threaded J-hooks for easy adjustment
- Supplied with patented thumb control lever for one handed operation
- DE-STA-CO® Toggle Lock Plus versions available
- Stainless steel version available as **-SS** models

Applications:

- Molding
- Closures for doors, lids, covers
- Assembly

Also Available:

- Clamps with longer hooks available Upon Request that are 25mm, 50mm, 100mm longer than standard length
- To order clamp with longer hook, add **-M-25**, **-M-50**, or **-M-100** to the end of the model. Example: 330-**M-50**

Covered under one year or more U.S./International Patents

330
330-SS



351
351-SS



351-B
351-BSS
Narrow Base



351-R
with
DE-STA-CO®
Toggle Lock
Plus



371
371-SS



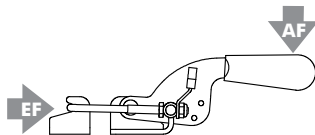
371-R
with DE-STA-CO®
Toggle Lock
Plus



381
381-SS



Series 330, 351, 371, 381 Technical Information, Holding Capacities



Model	Max. Holding Capacity	Weight	EF:AF	Drawing Movement	Replacement Hook Assembly	Hook Adj. Range
330	900 N [200 lbf]	0,11kg [0.24lb]	17:1	59,7 [2.35]	330215	7.4 [0.29]
330-SS					330915	
351	1670 N [375 lbf]	0,28kg [0.61lb]	21:1	101,6 [4.00]	351215	12.4 [0.49]
351-SS	2000 N [450 lbf]				351915	
351-B	1670 N [375 lbf]				351215	
351-BSS					351915	
351-R		0,36kg [0.8lb]			351215	
371	3340 N [750 lbf]	0,69kg [1.53lb]	36:1	136,7 [5.38]	371215	23.9 [0.94]
371-SS					371915	
371-R					0,85kg [1.88lb]	
381	4450 N [1000 lbf]	1,16kg [2.56lb]	37:1	155,7 [6.13]	381215	29.7 [1.17]
381-SS					381915	

EF = Exerting Force, AF = Applied Force

Series **330, 351, 371, 381** Standard Clamp Dimensions
330/351/371/381/-SS/-B/-BSS

330
330-SS



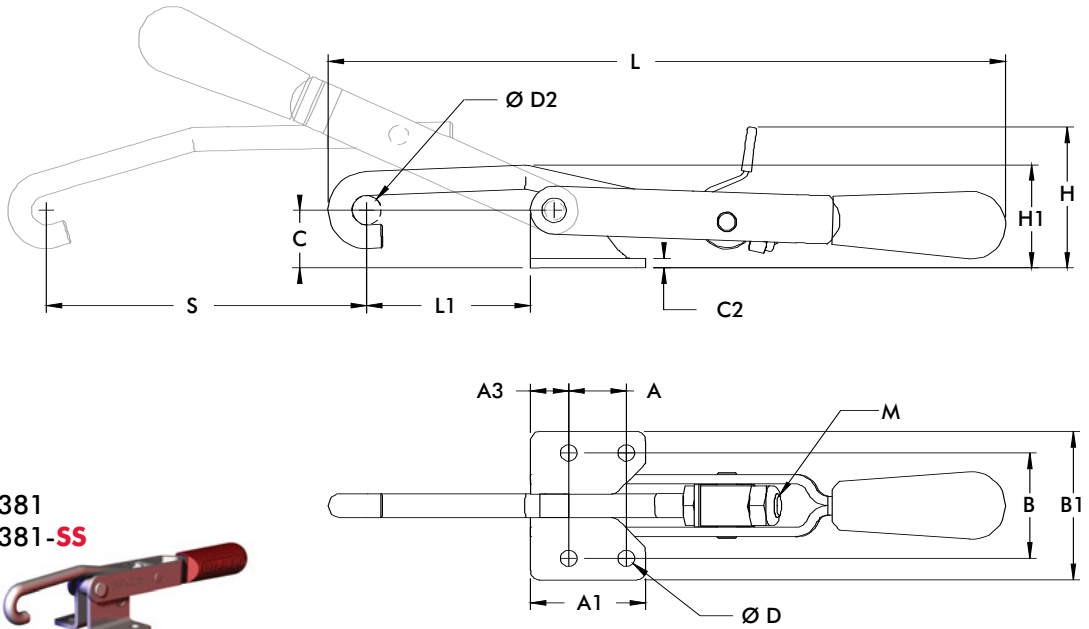
351
351-SS



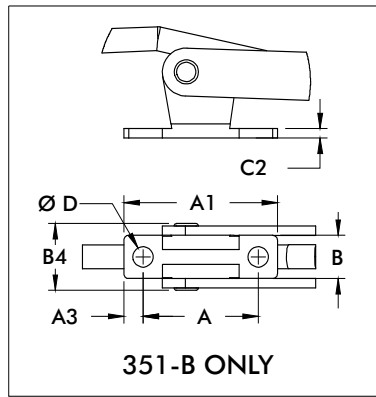
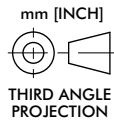
371
371-SS



381
381-SS



351-B
351-BSS
Narrow Base



Model	A	A1	A3	B
330	[0.50]	[1.00]	[0.25]	[1.22]
330-SS	12,7	25,4	6,4	30,9
351	[0.75]	[1.50]	[0.50]	[1.37]
351-SS	19,1	38,1	12,7	34,8
351-B	[1.50]	[2.00]	[0.25]	[0.56]
	38,1	38,1	6,4	14,3
371	[1.25]	[1.94]	[0.34]	[1.94]
371-SS	31,8	49,2	8,7	49,2
381	[1.13]	[2.13]	[0.50]	[2.37]
381-SS	28,6	54,1	12,7	60,3

Model	B1	B4	C	C2	ØD	ØD2	H	H1	L	L1 Max	M	S
330	[1.69]	-	[0.56]	[0.12]	[0.22]	[0.32]	[1.43]	[0.89]	[6.01]	[1.70]	M5	[2.35]
330-SS	42,9	-	14,2	3,1	5,6	8,1	36,2	22,6	152,7	43,3		59,7
351	[1.93]	-	[0.75]		[0.22]		[1.83]	[1.34]		[2.13]		
351-SS	49,1	-	19,1		5,5		46,6	34		54,2		
				[0.12]		[0.38]			[8.82]		M8	[4.00]
351-B	-	[0.87]	[0.86]		[0.27]		[1.94]	[1.45]		[1.63]		
		22,1	21,8		6,7		49,3	36,8		41,4		
371	[2.63]	-	[1.42]	[0.16]	[0.34]	[0.50]	[2.58]	[2.23]	[11.89]	[2.81]	M10	[5.38]
371-SS	66,7	-	36,1	4	8,7	12,7	65,6	56,5	302	71,5		136,7
381	[3.38]	-	[1.81]	[0.19]	[0.41]	[0.62]	[2.90]	[2.71]	[13.45]	[3.13]	M12	[6.13]
381-SS	85,9	-	46	4,7	10,3	15,7	73,6	68,8	341,7	79,5		155,7