

Series 460, 480 Product Overview

Features:

- Drop forged alloy steel components for exceptional strength
- Two way trigger release allows for fast and easy opening of clamp

Applications:

- Assembly
- Welding

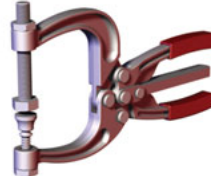
Also Available:

See page 8.1 for accessories

462

462-2

With Two Adjustable Spindles


463

480 ⓘ

482

484

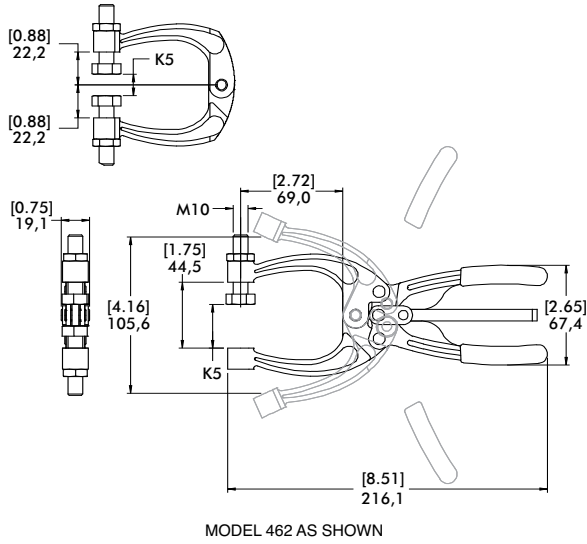
486

Series 460, 480 Technical Information, Holding Capacities

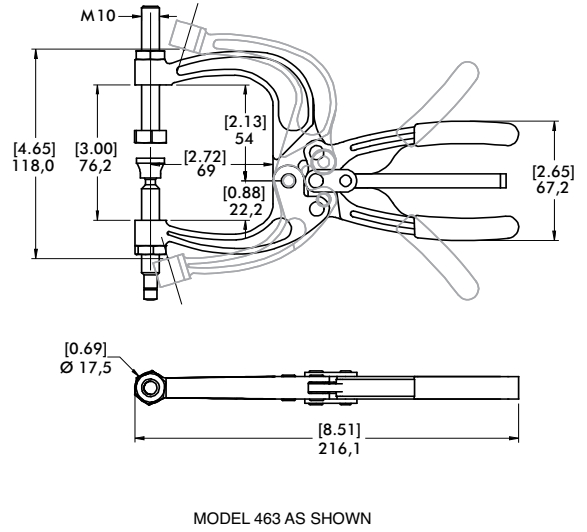
Model	Max. Holding Capacity	Weight	(K5) Maximum Clamping Thickness	Spindle (Supplied)
462	3110 N [700 lbf]	0,51kg [1.13lb]	29,5 [1.16]	468206-M 2102056-M
462-2			30,5 [1.20]	(2X) 491203-M
463		0,54kg [1.19lb]	54,2 [2.13]	468206-M 210203-M
480 ⓘ	†5340 N [1200 lbf]	0,59kg [1.31lb]	--	--
482	5340 N [1200 lbf]	0,79kg [1.75lb]	29,5 [1.16]	468206-M
484		0,91kg [2.00lb]	76,5 [3.01]	468206-M 210203-M
486		1,05kg [2.31lb]	138,4 [5.45]	(2X) 240203-M

ⓘ This item is available upon request. † with 65mm [2.56] jaw extension

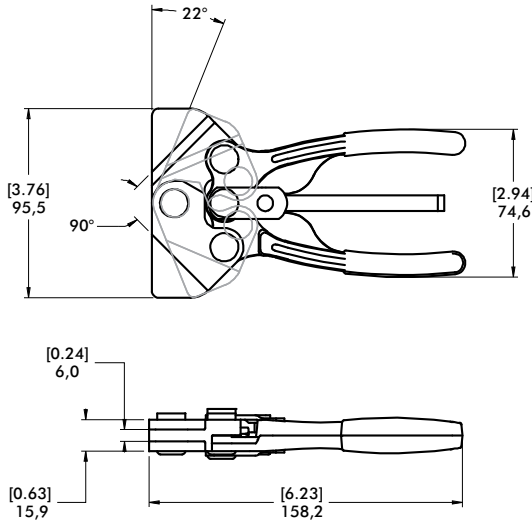
Series 460, 480 Standard Clamp Dimensions



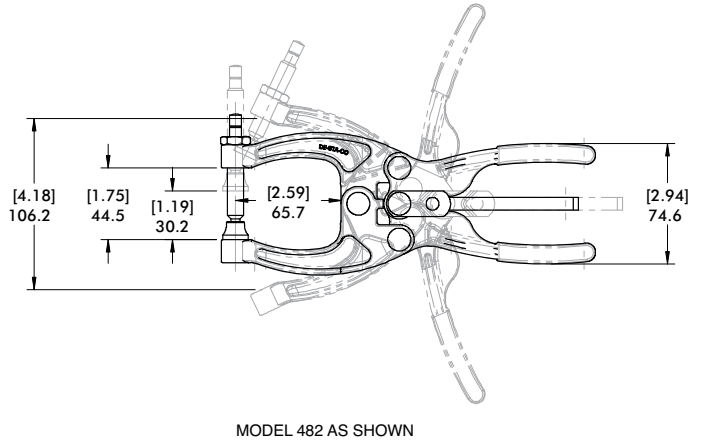
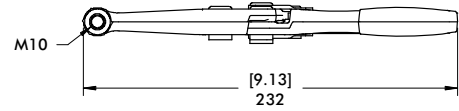
MODEL 462 AS SHOWN



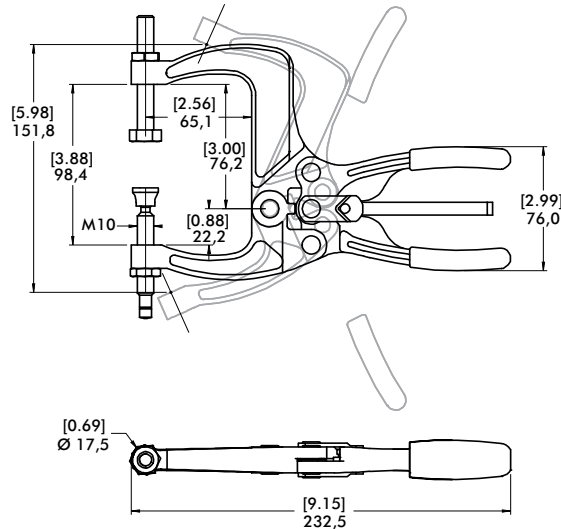
MODEL 463 AS SHOWN



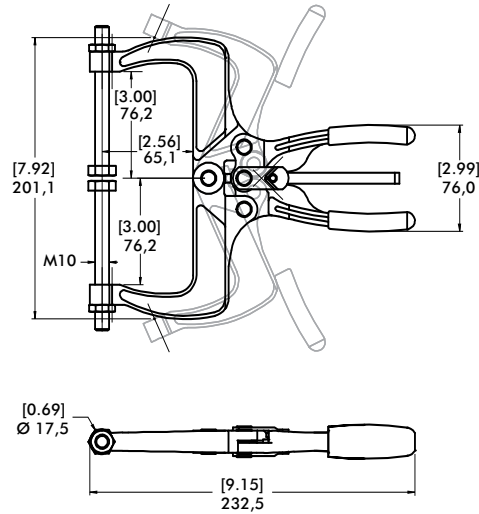
MODEL 480 AS SHOWN



MODEL 482 AS SHOWN



MODEL 484 AS SHOWN



MODEL 486 AS SHOWN

