

Series 215 Product Overview

Features:

- Low profile
- Stainless steel model furnished without plastic grip

Applications:

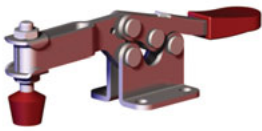
- Assembly
- Checking fixtures
- Closures
- Woodworking

Also Available:

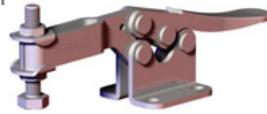
See page 8.1 for accessories

Accommodates M6 or 1/4" spindle accessory

215-U
Flanged Base
U-Bar



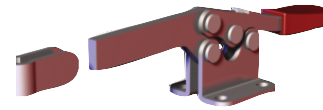
215-USS
Flanged Base
U-Bar, Stainless
Steel



215-UB† ⓘ
Straight Base
U-Bar



215-S
Flanged Base
Solid Bar



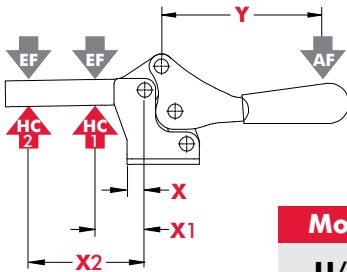
Note:
Clamps shown with included accessories.

Series 215 Technical Information

Model	Max. Holding Capacity	Clamp Bar Opening (+10°)	Handle Opening (+10°)	Weight	Accessories (Supplied)		
					Spindle Assembly	Flanged Washers	Bolt Retainer
215-U	890 N [200 lbf]	87°	78°	0,15kg [0.34lb]	202208-M	215105	--
215-USS	1110 N [250 lbf]				202943	215105	
215-UB ⓘ	890 N [200 lbf]				202208-M	215105	
215-S	890 N [200 lbf]				--	--	205105

ⓘ This item is available upon request

Series 215 Holding Capacities

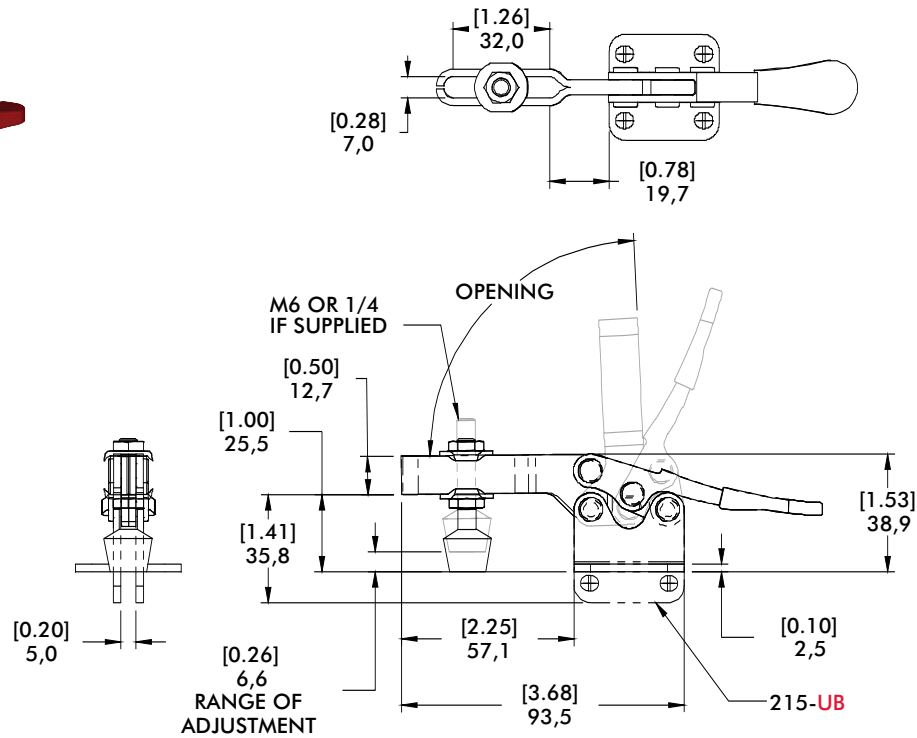
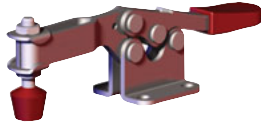


Model	X	X1	X2	Y	±HC1	±HC2	±EF(X1):AF	±EF(X2):AF
U/UB		[1.00]	[2.25]		[200lbf.] 890N	[80lbf.] 360N	9:1	4:1
USS	[0.22] 5,6	25,4	57	[2.72] 69	[250lbf.] 1110N	[110lbf.] 490N	6:1	
S		[1.63] 41,4	[2.88] 73		[200lbf.] 890N			

Dimensions shown "mm [inch]" ± HC = Holding Capacity, EF = Exerting Force, AF = Applied Force
Refer to page 20.4 for additional information.

Series 215 Standard Clamp Dimensions -U/-USS/-UB/-S

215-U⁺
Flanged Base
U-Bar



215-S
Flanged Base
Solid Bar

