

Series 2027 Product Overview

Features:

- Increased handle clearance reduces pinch points
- Common mounting hole pattern to Model 227
- Fixed handle pivot provides smooth action
- Over 1½ times the holding capacity Model 227

Applications:

- Checking fixtures
- Assembly & test
- Light machining
- Woodworking
- Closures

Also Available:

See page 8.1 for accessories
Accommodates M8 or 5/16" spindle accessory

Covered under one year or more U.S./International Patents

2027-U
Flanged Base
U-Bar



2027-UR
Flanged Base, U-Bar
with DE-STA-CO®
Toggle Lock
Plus



2027-UB
Straight Base
U-Bar



2027-UBR
Straight Base, U-Bar
with DE-STA-CO®
Toggle Lock
Plus

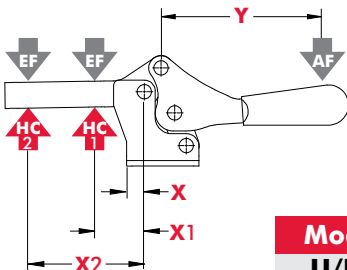


Note:
Clamps shown with included accessories.

Series 2027 Technical Information

Model	Max. Holding Capacity	Clamp Bar Opening (+10°)	Handle Opening (+10°)	Weight	Accessories (Supplied)	
					Spindle Assembly	Flanged Washers
2027-U	3740 N [840 lbf]	68°	70°	0,61kg [1.34lb]	2007208-M	507107
2027-UR						
2027-UB						
2027-UBR						

Series 2027 Holding Capacities

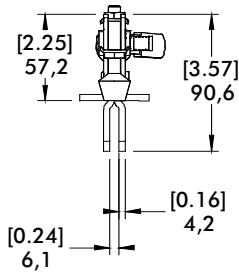


Model	X	X1	X2	Y	‡HC1	‡HC2	‡EF(X1):AF	‡EF(X2):AF
U/UR	[1.02]	[1.75]	[3.30]	[2.54]	[840lbf.]	[480lbf.]	5:1	3:1
UB/UBR	25,8	44,5	83,8	64,5	3740N	2140N		

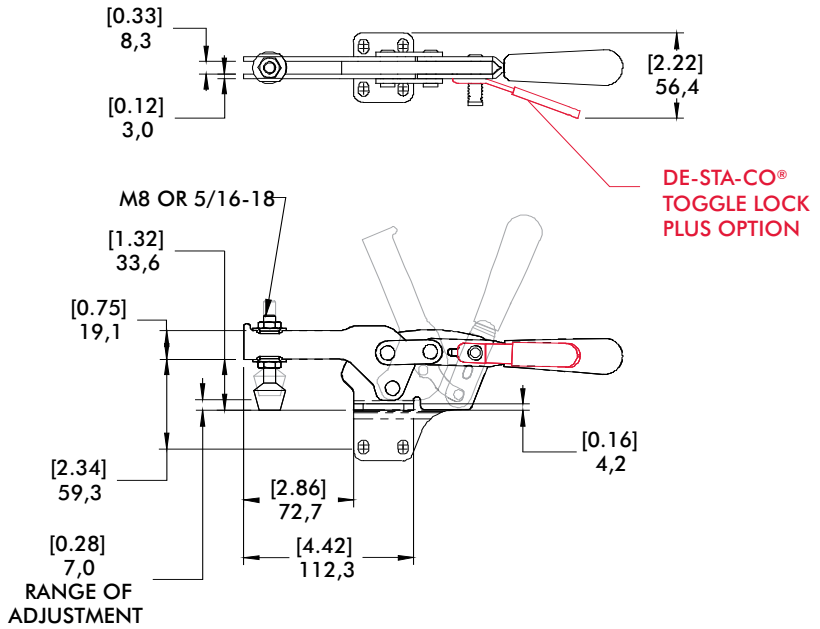
Dimensions shown "mm [inch]" ‡ HC = Holding Capacity, EF = Exerting Force, AF = Applied Force
Refer to page 20.4 for additional information.

Series 2027 Standard Clamp Dimensions -U/-UR/-UB/-UBR

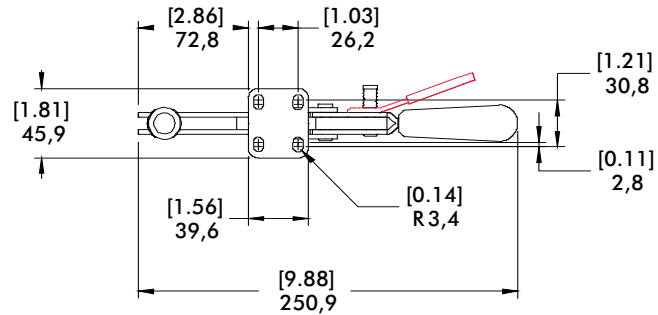
2027-U
Flanged Base
U-Bar



2027-UBR
Straight Base, U-Bar
with DE-STA-CO®
Toggle Lock
Plus



DE-STA-CO®
TOGGLE LOCK
PLUS OPTION



mm [INCH]
THIRD ANGLE
PROJECTION