

Series 2013 Product Overview

Features:

- Increased handle clearance reduces pinch points
- Common mounting hole pattern to Model 213
- Fixed handle pivot provides smooth action
- Nearly 2 times the holding capacity Model 213

Applications:

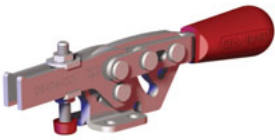
- Checking fixtures
- Assembly & test
- Light machining
- Woodworking
- Closures

Also Available:

See page 8.1 for accessories
Accommodates M5 or #10 spindle accessory

Covered under one year or more U.S./International Patents

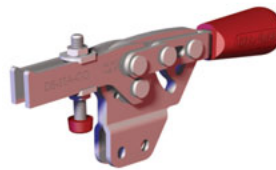
2013-U
Flanged Base
U-Bar



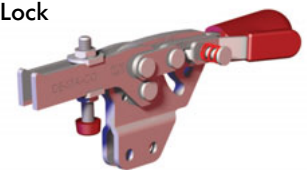
2013-UR
Flanged Base, U-Bar
with DE-STA-CO®
Toggle Lock
Plus



2013-UB
Straight Base, U-Bar



2013-UBR
Straight Base, U-Bar
with DE-STA-CO®
Toggle Lock
Plus

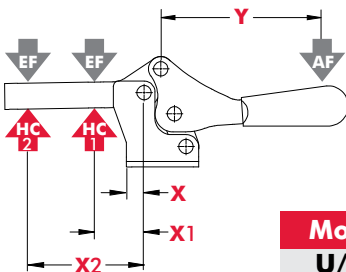


Note:
Clamps shown with included accessories.

Series 2013 Technical Information

Model	Max. Holding Capacity	Clamp Bar Opening (+10°)	Handle Opening (+10°)	Weight	Accessories (Supplied)	
					Spindle Assembly	Flanged Washers
2013-U	1310 N [295 lbf]	71°	58°	0,17kg [0.37lb]	2013208-M	102111
2013-UR						
2013-UB						
2013-UBR						

Series 2013 Holding Capacities



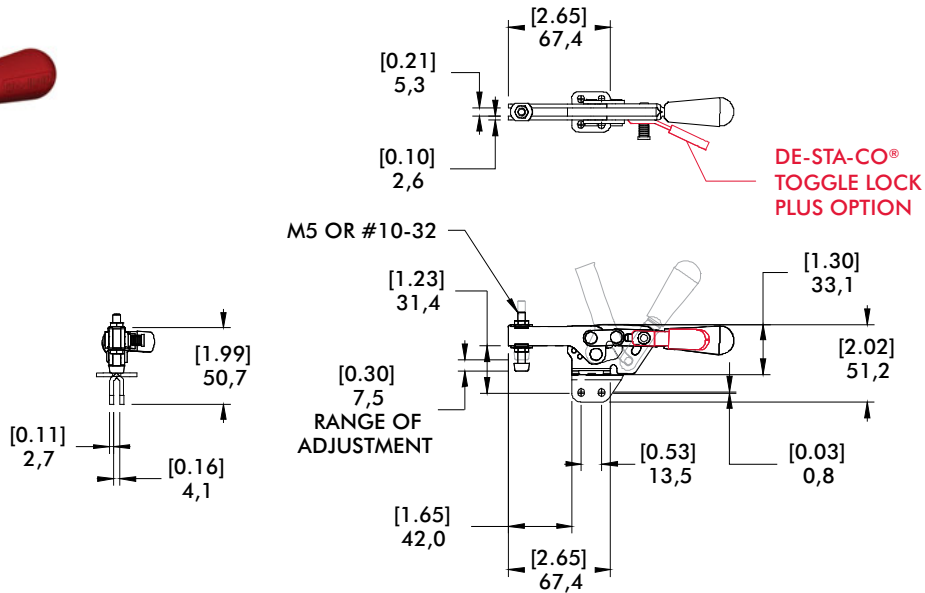
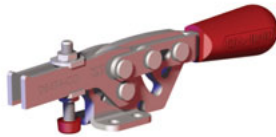
Model	X	X1	X2	Y	‡HC1	‡HC2	‡EF(X1):AF	‡EF(X2):AF
U/UR	[0.63]	[0.95]	[1.95]	[2.34]	[295lbf.]	[175lbf.]	6:1	4:1
UB/UBR	16	24	49,5	59,5	1310N	780N		

Dimensions shown "mm [inch]" ‡ HC = Holding Capacity, EF = Exerting Force, AF = Applied Force
Refer to page 20.4 for additional information.



Series 2013 Standard Clamp Dimensions -U/-UR/-UB/-UBR

2013-U
Flanged Base
U-Bar



2013-UBR
Straight Base, U-Bar
with DE-STA-CO®
Toggle Lock
Plus

