

Series 2010 Product Overview

Features:

- Large hand clearance for improved safety
- Bolt pattern interchangeable with 210 Series
- Over two times the holding capacity of 210 Series
- Hardened bushings at key pivot points
- Near vertical clamping contact

Applications:

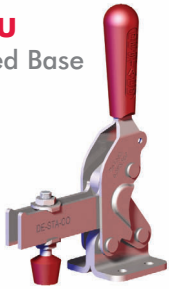
- Checking fixtures
- Assembly & test
- Light machining
- Woodworking

Also Available:

See page 8.1 for accessories
Accepts M10 or 3/8 spindle accessories

Covered under one or more U.S./International Patents

2010-U
Flanged Base
U-Bar



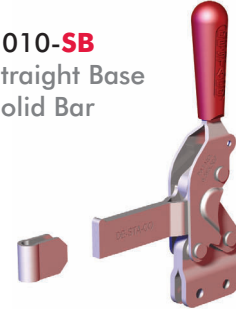
2010-S
Flanged Base
Solid Bar



2010-UB
Straight Base
U-Bar



2010-SB
Straight Base
Solid Bar



2010-UR
Flanged Base
U-Bar
with DE-STA-CO®
Toggle Lock Plus



2010-SR ⓘ
Flanged Base
Solid Bar
with DE-STA-CO®
Toggle Lock Plus



2010-UBR
Straight Base
U-Bar
with DE-STA-CO®
Toggle Lock Plus



2010-SBR ⓘ
Straight Base
Solid Bar
with DE-STA-CO®
Toggle Lock Plus



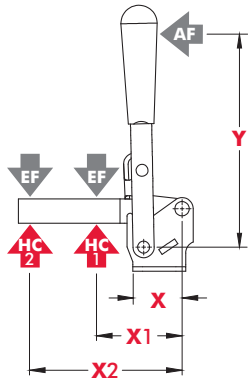
Note:
Clamps shown with included accessories. To order without spindle, add (-LS) to the end of model (Ex: 2010-U-LS)

Series 2010 Technical Information

Model	Max. Holding Capacity	Clamp Bar Opening (+10°)	Handle Opening (+10°)	Weight	Accessories (Supplied)		
					Bolt Retainer	Spindle Assembly	Flanged Washers
2010-U	6230 N [1400 lbf]	78°	66°	1,16kg [2.56lbs]	---	240208-M	235106
2010-S					2010115-E	---	---
2010-UB					---	240208-M	235106
2010-SB					2010115-E	---	---
2010-UR					---	240208-M	235106
2010-SR ⓘ					2010115-E	---	---
2010-UBR					---	240208-M	235106
2010-SBR ⓘ					2010115-E	---	---

ⓘ This item is available upon request

Series 2010 Holding Capacities

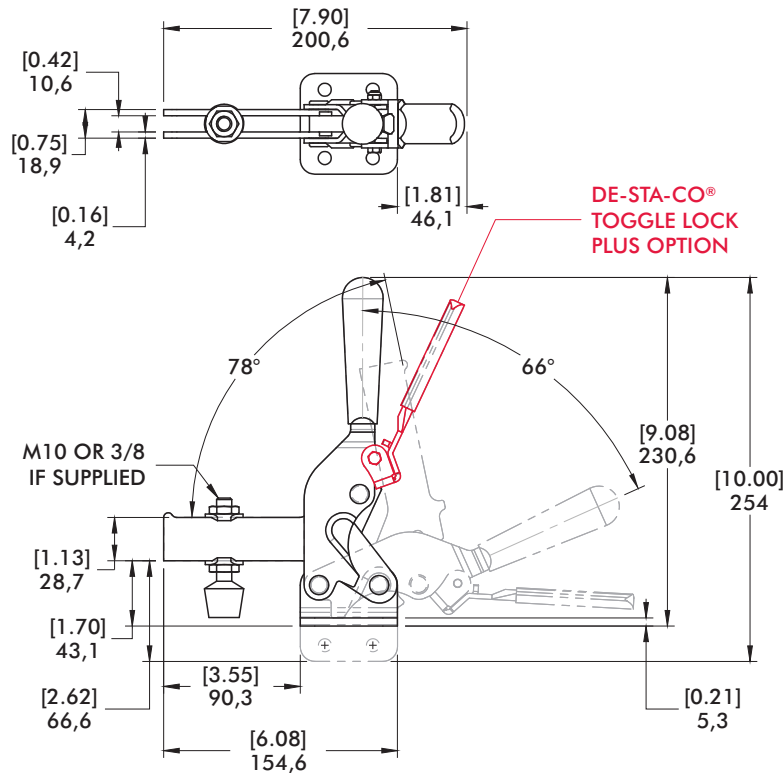
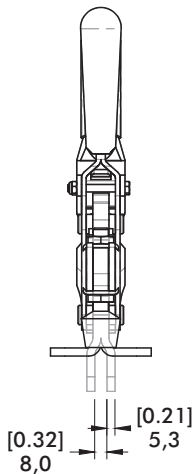
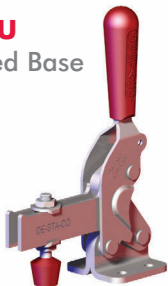


Model	X	X1	X2	Y	±HC1	±HC2	±EF(X1):AF	±EF(X2):AF
2010-()	[2.04] 51,8	[2.44] 62	[4.88] 124	[7.00] 178	[1400lbf.] 6230N	[720lbf.] 3200N	13:1	6:1

Dimensions shown "mm [inch]" ± HC = Holding Capacity, EF = Exerting Force, AF = Applied Force
Refer to page 20.5 for additional information.

Series 2010 Standard Clamp Dimensions -U/-S/-UB/-SB/-UR/-SR/-UBR/-SBR

2010-U
Flanged Base
U-Bar



2010-SB
Straight Base
Solid Bar

